



Wire Harnesses



Specialty Connectors



Custom Over Molds



...And More!



Custom Wire Harnesses • Specialty Connectors • *Extreme Condition* Harnesses & Connectors • Power Cord Sets • Custom Over-Molding • Strain Reliefs & Grommets • Wire & Cable Mfg. • 3D Prototyping, Tooling & Mfg. In-House

Product Catalog & Resource Handbook

This page intentionally left blank.

Company Overview	IV
└─ Mission Statement	
└─ Promise to Suppliers	
└─ Letter from the CEO	
Resources	
└─ Glossary of Terms	VI
└─ Cable Jacket Type Guide	X
└─ IP Rating Guide	XI
└─ Cord & Wire Termination Options	XII
Services Available	1
└─ Custom Over-Molding	
└─ Custom Wire Harnesses	
└─ Cable & Wire Manufacturing	
└─ Developmental Services (R&D)	
Products Catalog	
└─ Power Cord Sets	
└─ Plugs	
└─ <i>NEMA</i>	3
└─ <i>IEC</i>	12
└─ <i>GFCI</i>	13
└─ Receptacles	
└─ <i>NEMA</i>	14
└─ <i>IEC</i>	18
└─ Current Taps and Adapters	
└─ NEMA Current Taps	19
└─ NEMA Adapters	21
└─ Specialty Connectors	
└─ HTM & HTF Series	22
└─ WB & WP Series	24
└─ Micro/Low Volt Connectors	
└─ <i>Micro SureConn™ Series</i>	29
└─ Spa Connectors	31
└─ <i>Interruptible Power Spa Series</i>	35
└─ <i>Mini-Spa Series</i>	37
└─ <i>SureConn™ Series (Discontinued)</i>	40
└─ <i>SureConn™ IP Series (Interruptible Power) (Discontinued)</i>	41
└─ Other Special Use Connectors	42
└─ Anti-Syphon Connectors	46
└─ Fuse Holder	47
└─ Automotive Type Connectors	48
└─ Special use Lamp Connectors	51
└─ Strain Reliefs & Grommets	52
└─ Specialty Over-Molds	
└─ Custom Overmolds	65
└─ CPC Connector Overmolds	67
└─ Mate-N-Lok™ Overmolds	68
└─ Deutsch™ Connector Overmolds	69

Company Overview

A Message from our CEO

30 Years Of Experience, Service and Quality

Since our establishment in 1982, we have been a leader in the wire harness and cord set manufacturing markets. From the simple power cord that connects a table lamp, to the more intricate wiring harnesses required by the automobile industry, we have earned the trust of major OEM's that rely on quality components for their products.

We at DSM&T have established a company that is all about helping our customers acquire great product quickly. Bellow are just a few of the ways we put the customer first.

DSM&T is positioned to accommodate both large and small custom orders by having **multiple manufacturing facilities**.

We use a lot of wire and cable, and instead of waiting on suppliers, we make our own. We house **2 large extrusion machines** to ensure a steady supply of cable for production. Although we mainly extrude wire and cable for our production needs, we also sell bulk cable to our customers.

Our **Research and Development** department (comprised of technical sales, engineering and production teams) prides itself in their ability of cooperatively helping you in designing custom wire harnesses or custom connectors.

We have our own **tool shop** that allows us to make quick prototypes or production tooling for your testing purposes or production needs. If you have a special application that needs a solution, we can help.

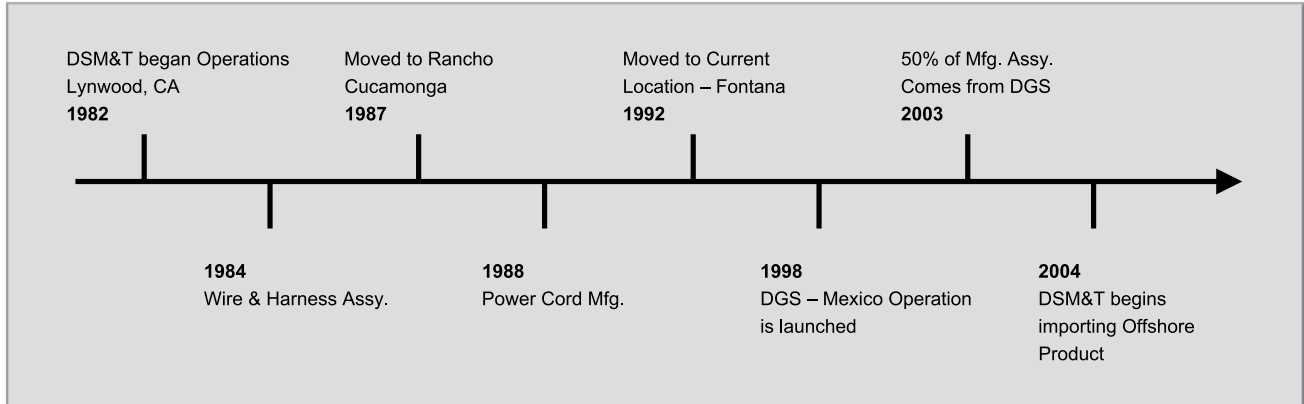
Our broad range of products and capabilities will ensure to help you keep a step ahead of the competition.

We look forward to doing business with you and establishing an ongoing relationship.

-Daniel P. Wilson



Company Timeline



OUR MISSION STATEMENT

To manufacture the highest quality products at a competitive price while delivering the industries broadest selection of cords, connectors and harnesses along with the best possible deliveries to our customers.

About Us

CERTIFICATIONS



COMPLIANCE

ANSI/ASQC Z1.4-1993
IPC/WHMA-A-620
Converting to ISO 9001-2000

IN HOUSE LABORATORY

Centralized testing & evaluations to industry standards

PRODUCTION FLOW

Job Order » BOM » Routers » PDAD » CAD Drawings/Visual Aid »
QA First Article Report » Compliance Certificate

Glossary of Terms

Adapter

A cord or block style device with different ends that allows different devices to connect.

AC

Alternating Current; Electric current that rises from zero to a maximum in one direction, falls to zero and then rises to a maximum in the opposite direction, and then repeats another cycle.

Amperage

Amps/Amperes/Ampacity/Rated Amperage -measurement of the flow rate of electricity. If you think in terms of water through a hose, amperage would be a measure of water volume flowing through the hose.

AWG

American Wire Gauge; standard measuring gauge for non-ferrous conductors (i.e., non-iron and non-steel). Lower gauge numbers indicate larger conductor size.

Cable

A cable is a set of wires, usually encased in an outer protective jacket. A “cord” would be a cable by this definition so far, but a cable is part of a permanent installation; a cord is more flexible and often has a plug end for a portable appliance or lamp.

Cable Harness

A string of cables and/or wires which transmit informational signals or operating currents (energy). The cables are bound together by clamps, cable ties, cable lacing, sleeves, electrical tape, conduit, a weave of extruded string, or a combination thereof.

CE

Conformite Europeene; A European standard of safety. The CE marking on end products indicates compliance with all applicable directives.

Conductor

The internal material of a cord that conducts electricity. Copper is the most common material used for electrical wiring. Silver is the best conductor, but is expensive. Because it does not corrode, gold is used for high-quality surface-to-surface contacts.

Connector

A female cord mounted wiring device with the conducting elements recessed behind the mating surface. This type of device is normally wired to be live when nothing is plugged in to it. Therefore, connectors are wired to the source of power.

CSA

Canadian Standards Association; A Canadian product safety and certification organization. Their registered mark shows that a product has been independently tested and certified to meet recognized standards for safety or performance.

Current

The rate of flow of electrical energy through a conductor or wire, comparable to the amount of water flowing in a pipe. Electric current is measured in amperes or “amps”

Dielectric

Any insulating medium, which intervenes between two conductors and permits electrostatic attraction and repulsion to take place across it.

Dielectric Test

Tests which consist of the application of a voltage higher than that of the rated voltage for a specified time for the purpose of determining the adequacy against breakdown of insulating materials and spacing under normal conditions.

DC

Direct Current; Current which moves in a single direction in a steady flow. Normal household electricity is alternating current (AC) which repeatedly reverses its direction. However, many electronics devices require DC, and therefore must convert the current into DC before using it.

Ferrite

Ferrimagnetic ceramic non-conductive compound material used to prevent high frequency electrical noise from entering or exiting the equipment.

Fuse

A safety device consisting of a strip of wire that melts and breaks an electric circuit if the current exceeds a safe level.

GFCI

Ground-Fault Circuit-Interrupter; An electrical wiring device that disconnects a circuit whenever it detects that the electric current is not balanced between the energized conductor and the return neutral conductor. Such an imbalance is sometimes caused by current leakage through the body of a person who is grounded and accidentally touching the energized part of the circuit.

Ground

A connection between an electrical device and the Earth or at the voltage defined as zero (in the U.S., called ground; in the UK, called earth).

Harmonized Code

An international coding system for specifying the attributes of cord voltages, jackets, diameters, etc.

Hertz

Measurement of frequency, equaling one cycle per second, U.S. devices are typically 60 Hertz and international devices are typically 60 hertz.

ICC

International Color Code; Standard for wire jacket colors; Hot=Brown, Neutral=Blue, Ground=Green/Yellow.

IEC

International Electrotechnical Commission; An international organization that sets standards for electrical products

IEC320

IEC standard of thirteen 2 or 3 wire plugs, connectors, inlets or outlets usually used in the computer industry.

Glossary of Terms

Inlet

A male flange mounted wiring device with the conducting pins protruding and exposed. This type device should never be wired to make the exposed pins live while the mating device is unplugged.

Insulation

The material that encases a conductor preventing leakage of current from a conductor.

IP Rating

Ingress Protection Rating; A two digit code, and an optional letter, specifying the level of protection from foreign objects with the first digit referring to protection from solids and the second digit referring to protection from liquids. The optional letter can be appended to classify only the level of protection against access to hazardous parts by persons or to provide additional information related to the protection of the device.

Jacket

Outer material layer of a cord.

Midget

Referring to an inlet or outlet with a shallow depth. Commonly mounted in areas where space is limited.

NACC

North American Color Code; Hot=Black, Neutral =White, Ground=Green.

NEMA

National Electrical Manufacturers Association, an organization based in the U.S. that sets many common standards used in electrical products.

OD

Outer Diameter, the outer diameter of a cord.

OEM

Original Equipment Manufacturer.

Pigtail

A very short patch cable or wiring adapter. Primarily used in the automotive industries where a longer cable assembly is not needed.

Pin and Sleeve

Common term in reference to an IEC60309 device.

Plug

A male cord mounted wiring device with the conducting pins protruding and exposed. This type device should never be wired to make the exposed pins live while unplugged. Therefore, plugs are always dead until they are plugged into a power source such as a wall outlet or generator outlet.

Polarized

A plug and connector formed in a way that only allows proper connection.

Receptacle

A female flange mounted wiring device with the conducting elements recessed behind the mating surface. Often referred to as an outlet. This type of device is normally wired to be live when nothing is plugged in to it. Therefore, receptacles are wired to the source of power.

RoHS

Restriction of Hazardous Substances; A European directive dictating materials that may not be used in the manufacture of certain products. Materials restricted include: Lead, Mercury, Cadmium, Hexavalent Chromium, Polybrominated Byphenyls, and Polybrominated Diphenyl Ether.

ROJ

The designation to Remove Outer Jacket.

Slitting

The designation to separate insulated parallel wires.

Straight Blade

Refers to a NEMA device with straight prongs.

Stripping

The designation of the removal of the insulation or jacket from a conductor/wire.

Temperature Rating

The maximum temperature at which insulation will maintain its integrity.

Terminal

A terminal is the point at which a conductor from an electrical component, device or network comes to an end and provides a point of connection to external circuits. A terminal may simply be the end of a wire or it may be fitted with a connector or fastener. The connection may be temporary, as for portable equipment, or may require a tool for assembly and removal, or may be a permanent electrical joint between two wires or devices.

Twist-Locking

Refers to a NEMA device with circular prongs that locks the connection in place. Locking connectors use curved blades. Once pushed into the receptacle, the plug is twisted and its now-rotated blades latch into the receptacle. To unlatch the plug, the rotation is reversed. The locking coupling makes for a more reliable connection in commercial and industrial settings, where vibration or incidental impact could disconnect a non-locking connector.

UL

Underwriters Laboratories; An independent non-profit product safety and certification organization.

Voltage

The force or "push" driving electrical energy through a conductor or wire that can be compared to the pressure of water in a pipe.

Watt

A unit of power, defined as one joule per second. Wattage is calculated as Voltage x Amperage.

Wire Harness

See: cable harness. Also known as Wiring Assembly and Wiring Loom.

Cable Jacket Types

Nomenclature Key

S = Service Grade (also means extra hard service when not followed by J, V, or P)

J = Hard Service

V = Vacuum cleaner cord (also light duty cable)

P = Parallel cord (also known as zip cord) – Always light duty

E = Thermoplastic Elastomer (UL/NEC designation ONLY)

O = Oil Resistant*

T = Thermoplastic

W = Outdoor-includes sunlight resistant jacket and wet location rated conductors (formerly “W-A”)

H = Heater cable

VW-1 = Flame retardant (Vertical specimen Flame Test)

FT2 = Flame retardant (Horizontal specimen Flame Test)

* When only one “O” appears in a classification (i.e. SJEOW), only the outer jacket material is oil resistant. If two “O’s” are in the classification (i.e. SEOOW), the insulation covering the conductors and the outer jacket insulation are both oil resistant.

Reference Chart

Type	Description	AWG Size Range	Number of Conductors	Insulation / Jacket Material	Voltage	Applications
TPT	Tinsel Parallel Thermoplastic	27 Tinsel	2	PVC / No Jacket	250	////
TS	Tinsel Service	27 Tinsel	2	Rubber / Rubber	125	////
TST	Tinsel Service Thermoplastic	27 Tinsel	2	PVC / PVC	125	////
SPT-1	Service Parallel Thermoplastic -- 1/64" Insulation	18	2 or 3	PVC / No Jacket	300	Indoor use only: Cords for lamps, small fans, radios, televisions, etc.
SPT-2	Service Parallel Thermoplastic -- 2/64" Insulation	18-16	2 or 3	PVC / No Jacket	300	Indoor use only: Cords for lamps, small fans, radios, televisions, etc.
SPT-3	Service Parallel Thermoplastic -- 3/64" Insulation	18-10	2 or 3	PVC / No Jacket	300	Indoor use only: Cords for refrigerators, air conditioners and other heavy duty applications and tools.
SPE-1	Service Parallel Elastomer -- 1/64" Insulation	18	2 or 3	Elastomer / No Jacket	300	////
SPE-2	Service Parallel Elastomer -- 1/64" Insulation	18-16	2 or 3	Elastomer / No Jacket	300	////
SPE-3	Service Parallel Elastomer -- 1/64" Insulation	18-10	2 or 3	Elastomer / No Jacket	300	////
SV	Service Vacuum	18	2 or 3	Rubber / Rubber	300	////
SVO	Service Vacuum Oil Resistant Jacket	18	2 or 3	Rubber / Rubber	300	////
SV00	SVO with Oil Resistant Insulation	18	2 or 3	Rubber / Rubber	300	////
SVT	Service Vacuum Thermoplastic	18 or 17	2 or 3	PVC / PVC	300	Indoor use only: Cords for vacuum cleaners, fans and portable lights. Extra flexible.
SVTO	SVT with Oil Resistant Jacket	18 or 17	2 or 3	PVC / PVC	300	Indoor use only: Cords for vacuum cleaners, fans and portable lights. Extra flexible.
SVT00	SVTO with Oil Resistant Insulation	18 or 17	2 or 3	PVC / PVC	300	Indoor use only: Cords for vacuum cleaners, fans and portable lights. Extra flexible.
SVE	Service Vacuum Elastomer	18 or 17	2 or 3	Elastomer / Elastomer	300	////

Cable Jacket Types

Type	Description	AWG Size Range	Number of Conductors	Insulation / Jacket Material	Voltage	Applications
SVEO	SVE with Oil Resistant Jacket	18 or 17	2 or 3	Elastomer / Elastomer	300	////
SVEOO	SVEO with Oil Resistant Insulation	18 or 17	2 or 3	Elastomer / Elastomer	300	////
SJ	Service Junior	18-10	2, 3 or 4	Rubber / Rubber	300	////
SJO	SJ with Oil Resistant Jacket	18-10	2, 3 or 4	Rubber / Neoprene	300	////
SJOO	SJO with Oil Resistant Insulation	18-10	2, 3 or 4	PVC / PVC	300	////
SJT	Service Junior Thermoplastic	18-10	2, 3 or 4	PVC / PVC	300	Hard usage indoors.
SJTO	SJT with Oil Resistant Jacket	18-10	2, 3 or 4	PVC / PVC	300	Hard usage indoors.
SJTOO	SJTO with Oil Resistant Insulation	18-10	2, 3 or 4	PVC / PVC	300	Hard usage indoors.
SJTW	SJT with Outdoor Jacket	18-14	2, 3 or 4	PVC / PVC	300	Hard usage outdoors: cords for lawn equipment, etc.
SJE	Service Junior Elastomer	18-10	2, 3, 4, or 5	Elastomer / Elastomer	300	////
SJEO	SJE with Oil Resistant Jacket	18-10	2, 3, 4, or 5	Elastomer / Elastomer	300	////
SJEOW	SJEO with Outdoor Jacket	18-10	2, 3, 4, or 5	Elastomer / Elastomer	300	Hard usage outdoors: cords for lawn equipment, etc.
SJEOO	SJEO with Oil Resistant Insulation	18-10	2, 3, 4, or 5	Elastomer / Elastomer	300	Hard usage outdoors: cords for lawn equipment, etc.
S	Service	18-2	2 or more	Rubber / Rubber	600	////
SO	Service with Oil Resistant Jacket	18-2	2 or more	Rubber / Neoprene	600	////
SOO	SO with Oil Resistant Insulation	18-2	2 or more	Rubber / Neoprene	600	////
ST	Service Thermoplastic	18-2	2 or more	PVC / PVC	600	Extra hard usage indoors: Heavy industrial equipment.
STW	ST with Outdoor Jacket	18-2	2 or more	PVC / PVC	600	Extra hard usage outdoors; Construction and Industrial use.
STO	ST with Oil Resistant Jacket	18-2	2 or more	PVC / PVC	600	Extra hard usage outdoors; Construction and Industrial use.
SE	Service Elastomer	18-2	2 or more	Elastomer / Elastomer	600	Extra hard usage outdoors; Construction and Industrial use.
SEO	SE with Oil Resistant Jacket	18-2	2 or more	Elastomer / Elastomer	600	Extra hard usage outdoors; Construction and Industrial use.
SEOW	SEO with Outdoor Jacket	18-2	2 or more	Elastomer / Elastomer	600	Extra hard usage outdoors; Construction and Industrial use.
SEOO	SEO with Oil Resistant Insulation	18-2	2 or more	Elastomer / Elastomer	600	Extra hard usage outdoors; Construction and Industrial use.
HPN	Heater Parallel Neoprene	18-12	2, or 3	Neoprene / No Jacket	300	////
HSJ	Heater Service Junior	18-12	2, 3 or 4	Neoprene / Rubber	300	////
HSJO	HSJ with Oil Resistant Jacket	18-12	2, 3 or 4	Neoprene / Neoprene	300	////
HS	Heater Service	14-12	2, 3 or 4	Neoprene / Rubber	300	////
HSO	HS with Oil Resistant Jacket	14-12	2, 3 or 4	Neoprene / Neoprene	300	////
SRDT	////	10-6	3 or more	Vinyl Plastic	N/A	Range and Dryer Cords

IP Rating

IP Code

The IP Code (or International Protection Rating, sometimes also interpreted as Ingress Protection Rating)* consists of the letters IP followed by two digits and an optional letter. As defined in international standard IEC 60529, it classifies the degrees of protection provided against the intrusion of solid objects (including body parts like hands and fingers), dust, accidental contact, and water in electrical enclosures. The standard aims to provide users more detailed information than vague marketing terms such as *waterproof*.

The digits (characteristic numerals) indicate conformity with the conditions summarized in the tables below. For example, an electrical socket rated IP22 is protected against insertion of fingers and will not be damaged or become unsafe during a specified test in which it is exposed to vertically or nearly vertically dripping water. IP22 or 2X are typical minimum requirements for the design of electrical accessories for indoor use.

*Explanation of the letters IP is given in IEC 60529 (Ed. 2.1), clause 4.1

First Digit: Solids

The first digit indicates the level of protection that the enclosure provides against access to hazardous parts (e.g., electrical conductors, moving parts) and the ingress of solid foreign objects.

Level	Object Size Protected Against	Effective Against
0	–	No protection against contact and ingress of objects
1	>50 mm	Any large surface of the body, such as the back of the hand, but no protection against deliberate contact with a body part
2	>12.5 mm	Fingers or similar objects
3	>2.5 mm	Tools, thick wires, etc.
4	>1 mm	Most wires, screws, etc.
5	Dust Protected	Ingress of dust is not entirely prevented, but it must not enter in sufficient quantity to interfere with the satisfactory operation of the equipment; complete protection against contact
6	Dust Tight	No ingress of dust; complete protection against contact

Second Digit: Liquids

Protection of the equipment inside the enclosure against harmful ingress of water.

Level	Protected Against	Effective Against
0	Not protected	–
1	Dripping water	Dripping water (vertically falling drops) shall have no harmful effect.
2	Dripping water when tilted up to 15°	Vertically dripping water shall have no harmful effect when the enclosure is tilted at an angle up to 15° from its normal position.
3	Spraying water	Water falling as a spray at any angle up to 60° from the vertical shall have no harmful effect.
4	Splashing water	Water splashing against the enclosure from any direction shall have no harmful effect.
5	Water jets	Water projected by a nozzle (6.3mm) against enclosure from any direction shall have no harmful effects.
6	Powerful water jets	Water projected in powerful jets (12.5mm nozzle) against the enclosure from any direction shall have no harmful effects.
7	Immersion up to 1 m	Ingress of water in harmful quantity shall not be possible when the enclosure is immersed in water under defined conditions of pressure and time (up to 1 m of submersion).
8	Immersion beyond 1m	The equipment is suitable for continuous immersion in water under conditions which shall be specified by the manufacturer. Normally, this will mean that the equipment is hermetically sealed. However, with certain types of equipment, it can mean that water can enter but only in such a manner that it produces no harmful effects.

IP Rating Reference Chart

IP Number	First Digit - SOLIDS	Second Digit - Liquids
IP00	Not protected from solids	Not protected from liquids
IP01	Not protected from solids	Protected from condensation
IP02	Not protected from solids	Protected from water spray less than 15 degrees from vertical
IP03	Not protected from solids	Protected from water spray less than 60 degrees from vertical
IP04	Not protected from solids	Protected from water spray from any direction
IP05	Not protected from solids	Protected from low pressure water jets from any direction
IP06	Not protected from solids	Protected from high pressure water jets from any direction
IP07	Not protected from solids	Protected from immersion between 15 centimeters and 1 meter in depth
IP08	Not protected from solids	Protected from long term immersion up to a specified pressure
IP10	Protected from touch by hands greater than 50 millimeters	Not protected from liquids
IP11	Protected from touch by hands greater than 50 millimeters	Protected from condensation
IP12	Protected from touch by hands greater than 50 millimeters	Protected from water spray less than 15 degrees from vertical
IP13	Protected from touch by hands greater than 50 millimeters	Protected from water spray less than 60 degrees from vertical
IP14	Protected from touch by hands greater than 50 millimeters	Protected from water spray from any direction
IP15	Protected from touch by hands greater than 50 millimeters	Protected from low pressure water jets from any direction
IP16	Protected from touch by hands greater than 50 millimeters	Protected from high pressure water jets from any direction
IP17	Protected from touch by hands greater than 50 millimeters	Protected from immersion between 15 centimeters and 1 meter in depth
IP18	Protected from touch by hands greater than 50 millimeters	Protected from long term immersion up to a specified pressure
IP20	Protected from touch by objects greater than 12 millimeters	Not protected from liquids
IP21	Protected from touch by fingers greater than 12 millimeters	Protected from condensation
IP22	Protected from touch by objects greater than 12 millimeters	Protected from water spray less than 15 degrees from vertical
IP23	Protected from touch by objects greater than 12 millimeters	Protected from water spray less than 60 degrees from vertical
IP24	Protected from touch by objects greater than 12 millimeters	Protected from water spray from any direction
IP25	Protected from touch by objects greater than 12 millimeters	Protected from low pressure water jets from any direction
IP26	Protected from touch by objects greater than 12 millimeters	Protected from high pressure water jets from any direction
IP27	Protected from touch by objects greater than 12 millimeters	Protected from immersion between 15 centimeters and 1 meter in depth
IP28	Protected from touch by objects greater than 12 millimeters	Protected from long term immersion up to a specified pressure
IP30	Protected from tools and wires greater than 2.5 millimeters	Not protected from liquids
IP31	Protected from tools and wires greater than 2.5 millimeters	Protected from condensation
IP32	Protected from tools and wires greater than 2.5 millimeters	Protected from water spray less than 15 degrees from vertical
IP33	Protected from tools and wires greater than 2.5 millimeters	Protected from water spray less than 60 degrees from vertical
IP34	Protected from tools and wires greater than 2.5 millimeters	Protected from water spray from any direction
IP35	Protected from tools and wires greater than 2.5 millimeters	Protected from low pressure water jets from any direction
IP36	Protected from tools and wires greater than 2.5 millimeters	Protected from high pressure water jets from any direction
IP37	Protected from tools and wires greater than 2.5 millimeters	Protected from immersion between 15 centimeters and 1 meter in depth
IP38	Protected from tools and wires greater than 2.5 millimeters	Protected from long term immersion up to a specified pressure

IP Rating Reference Chart - *continued*

IP Number	First Digit - SOLIDS	Second Digit - Liquids
IP40	Protected from tools and small wires greater than 1 millimeter	Not protected from liquids
IP41	Protected from tools and small wires greater than 1 millimeter	Protected from condensation
IP42	Protected from tools and small wires greater than 1 millimeter	Protected from water spray less than 15 degrees from vertical
IP43	Protected from tools and small wires greater than 1 millimeter	Protected from water spray less than 60 degrees from vertical
IP44	Protected from tools and small wires greater than 1 millimeter	Protected from water spray from any direction
IP45	Protected from tools and small wires greater than 1 millimeter	Protected from low pressure water jets from any direction
IP46	Protected from tools and small wires greater than 1 millimeter	Protected from high pressure water jets from any direction
IP47	Protected from tools and small wires greater than 1 millimeter	Protected from immersion between 15 centimeters and 1 meter in depth
IP48	Protected from tools and small wires greater than 1 millimeter	Protected from long term immersion up to a specified pressure
IP50	Protected from limited dust ingress	Not protected from liquids
IP51	Protected from limited dust ingress	Protected from condensation
IP52	Protected from limited dust ingress	Protected from water spray less than 15 degrees from vertical
IP53	Protected from limited dust ingress	Protected from water spray less than 60 degrees from vertical
IP54	Protected from limited dust ingress	Protected from water spray from any direction
IP55	Protected from limited dust ingress	Protected from low pressure water jets from any direction
IP56	Protected from limited dust ingress	Protected from high pressure water jets from any direction
IP57	Protected from limited dust ingress	Protected from immersion between 15 centimeters and 1 meter in depth
IP58	Protected from limited dust ingress	Protected from long term immersion up to a specified pressure
IP60	Protected from total dust ingress	Not protected from liquids
IP61	Protected from total dust ingress	Protected from condensation
IP62	Protected from total dust ingress	Protected from water spray less than 15 degrees from vertical
IP63	Protected from total dust ingress	Protected from water spray less than 60 degrees from vertical
IP64	Protected from total dust ingress	Protected from water spray from any direction
IP65	Protected from total dust ingress	Protected from low pressure water jets from any direction
IP66	Protected from total dust ingress	Protected from high pressure water jets from any direction
IP67	Protected from total dust ingress	Protected from immersion between 15 centimeters and 1 meter in depth
IP68	Protected from total dust ingress	Protected from long term immersion up to a specified pressure
IP69k	Protected from total dust ingress	Protected from steam jet cleaning

References

1. IEC 60529, "Degrees of Protection Provided by Enclosures (IP Codes)," Ed. 2.1 (Geneva: International Electrotechnical Commission, 2001)
2. IEC 60529 (Ed 2.1), clause 4.1

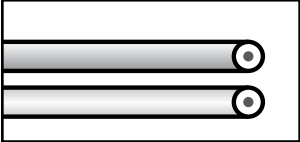
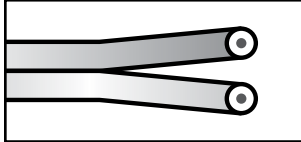
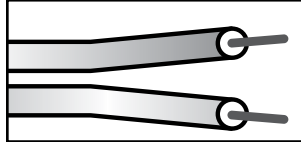
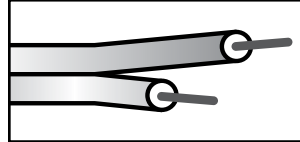
Cord & Wire Termination Options

Everybody loves options


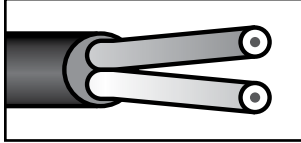
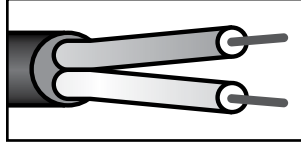
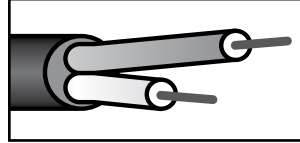
DSM&T offers all the common termination options for your wire harnesses, pig tails and cable assemblies.

Below is a quick Reference Chart to help you decide what termination option is best for you.

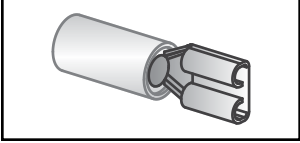
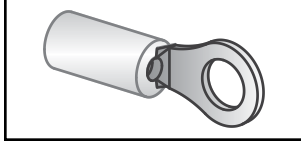
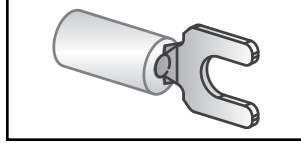
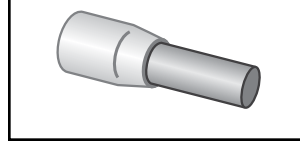
Wire Termination

End Cut	Wire Slit	Wire Strip	Cutback
			
Wire is cut even at the customer specified length.	Where parallel wire is used, ends can be separated from each other to customer specifications	Wire ends are “stripped” of their insulation material to expose the inner copper strands.	Wires are terminated at different lengths according to customer specifications.

Cable Termination

Blunt Cut	Remove Outer Jacket	ROJ & Stripped Wires	Cut Back Wires
			
Cables are cut even at the customer specified length.	The outer insulating cable jacket is removed to expose the inner wires. Length is determined by customer.	Outer cable jacket is removed and wire ends are stripped of insulating material.	Outer cable jacket is removed and wires are cut & terminated at different lengths.

Termination Connectors

Quick Connect	Ring Terminal	Spade/Fork Terminal	Ferrules
			
Available In: <ul style="list-style-type: none">• Un-Insulated• Pre-Insulated• Full Insulated• Right-Angle (Flag)	Used to attach product with screw or bolt. <i>Perfect for a ground connection.</i>	Similar to Ring Terminal, but removeable without completely unscrewing bolt or screw.	For use with Terminal Blocks. Used to crimp and secure bare copper strands.

Services Available

Wire Harnesses, Connectors & Switches for *Extreme Conditions*

With 30 years of liquid intrusion-prevention experience under our belt, you can trust that we know what it takes to keep water, dirt, oil and moisture out of your electrical assemblies.

- » **Up to IP68 Protection**
- » **Fully-Weatherized Harnesses**
- » **Weatherizing of Common Connectors**
- » **Industrial-Grade Overmolded and sealed Switches**
- » **A TRUCKING INDUSTRY tested favorite**



Over Molded X-Block: Pg. 65



Over Molded Deutsch Connectors: Pg. 69-70



Over Molded & Custom Connectors

Custom configurations are quickly developed and we have the ability to embed electronics within your design. Our OEM customers design many of the custom molded products we produce and we maintain those designs in strict confidence.

If you do not have a design but have a specific application, we can help. With the cooperation of our sales, R&D and engineering teams, we can design a custom over molded product that suits your needs.

- » **Over Molded Stock Connectors**
- » **Embedded Electronics**
- » **Full Custom Connecting System Options**
- » **In-House Engineering**
- » **OEM's Welcomed**



Custom SPA Connectors: Pg. 31



Over Molded Mate-N-Lok: Pg. 68

Wire Harnesses

We build custom wire harnesses, pigtails and wiring assemblies to your specification. We have a large number of OEM connectors in stock. All wire harnesses are 100% tested to meet the level of performance you would expect from a **US Based Manufacturer**.



Specialty Assemblies

- » **Temperature Sensors**
 - » *Standard & High-Limit Sensor Options*
- » **Over-molds with Embedded Electronics**



Wire & Cable Manufacturing

- » **Two extrusion lines in US Mfg. facility**
- » **Custom wire and cable**
- » **Common UL/CSA approved hook-up wire**
- » **Bulk cable available**



Research & Development

If you have a special application that needs a solution, we can help. Our Research and Development department prides itself in the ability of cooperatively helping you in designing custom wire harnesses, custom connectors or custom assemblies.

- » **Tool Shop located on-site**
- » **3D Printer for prototypes that can be handled, inspected and, in some cases, tested – before any tooling is made.**



WORKING 3D PROTOTYPE


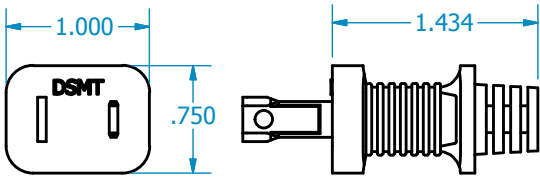



Power Cord Plugs

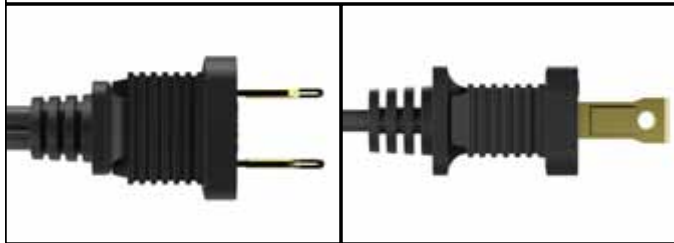
Nema 1-15P

MODEL 1

MOLDED PVC, CUSTOM LENGTHS & COLORS
ROHS COMPLIANT

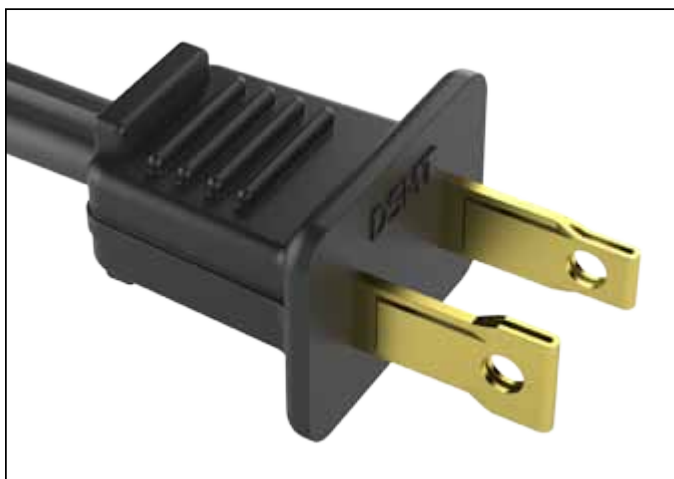
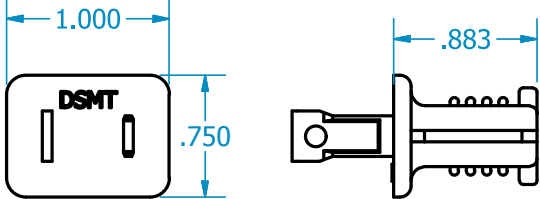
P/N	Current/ Voltage	Cable Specifications		Approval
		Conductor	Type	
C-181-S1	10A/125 VAC	2x18 AWG	SPT-1, NISPT-1	 [USR/CNR]
C-181-S2	10A/125 VAC	2x18 AWG	SPT-2	
C-161-S2	13A/125 VAC	2x16 AWG	SPT-2, NISPT-2	




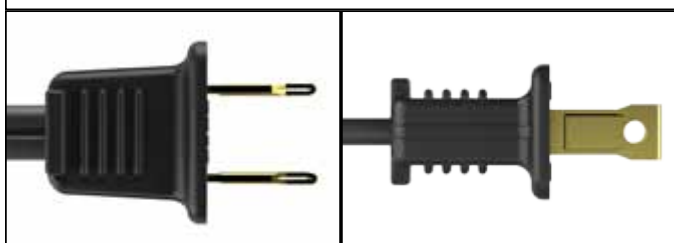
Nema 1-15P

MODEL 2

MOLDED PVC, CUSTOM LENGTHS & COLORS
ROHS COMPLIANT


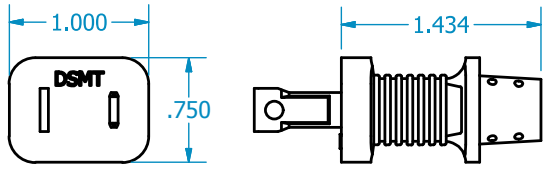
P/N	Current/ Voltage	Cable Specifications		Approval
		Conductor	Type	
2181	10A/125 VAC	2x18 AWG	SPT-1, SPT-2	 [USR/CNR]
2161	13A/125 VAC	2x16 AWG	SPT-2	
2121	4A/125 VAC	2x20 AWG	XT	




Nema 1-15P

MODEL 3

MOLDED PVC, CUSTOM LENGTHS & COLORS
ROHS COMPLIANT


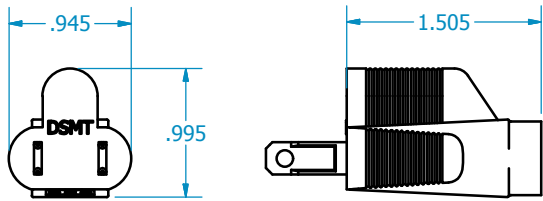
P/N	Current/ Voltage	Cable Specifications		Approval
		Conductor	Type	
C-181	10A/125 VAC	2x18 AWG	SJT, SJTW	 [USR/CNR]
C-181-HP	10A/125 VAC	2x18 AWG	HPN*	
C-161-HP	13A/125 VAC	2x16 AWG	HPN*	
C-141-HP	15A/125 VAC	2x14 AWG	HPN*	


*Plug molded using Santoprene 101-80

Nema 1-15P

MODEL CG

MOLDED PVC, CUSTOM LENGTHS & COLORS
ROHS COMPLIANT


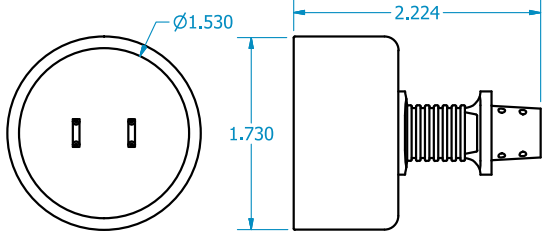
P/N	Current/ Voltage	Cable Specifications		Approval
		Conductor	Type	
C-141-CG	13A/125 VAC	2x16 AWG	SJOW, SJT, SJTW, SJTO, SJTOW, SJO, SJOO, SJOOW, SO, SOW, SOOW, ST, STW, STO, STOW, HPN, HSJ, HSJO	 [USR/CNR]
C-141-CG	15A/125 VAC	2x14 AWG		


Power Cord Plugs

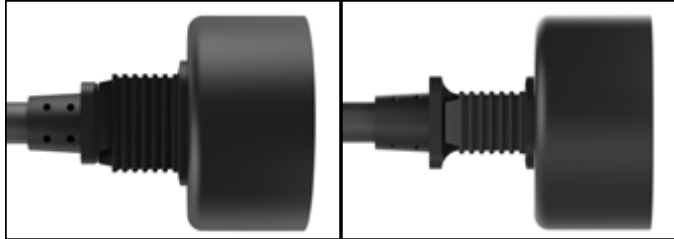
Nema 1-15P

SHROUDED

MOLDED PVC, CUSTOM LENGTHS & COLORS
ROHS COMPLIANT


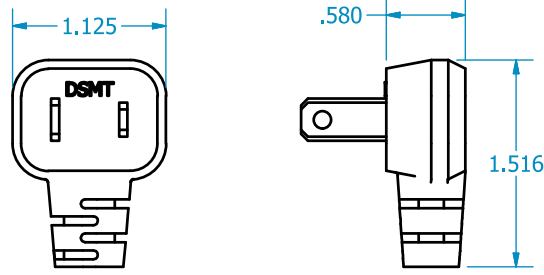
P/N	Current/ Voltage	Cable Specifications		Approval
		Conductor	Type	
C-181-FL	10A/125 VAC	2x18 AWG	SJTW, SJTOW, SJTOOW, SJOW, SJW, SJOOW	 [USR/CNR]
C-181-FL	13A/125 VAC	2x16 AWG	SPT-2	




Nema 1-15P

RIGHT ANGLE

MOLDED PVC, CUSTOM LENGTHS & COLORS
ROHS COMPLIANT

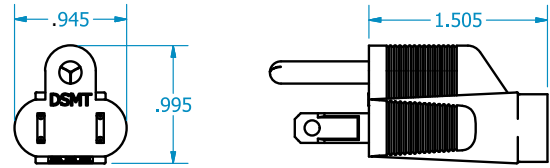
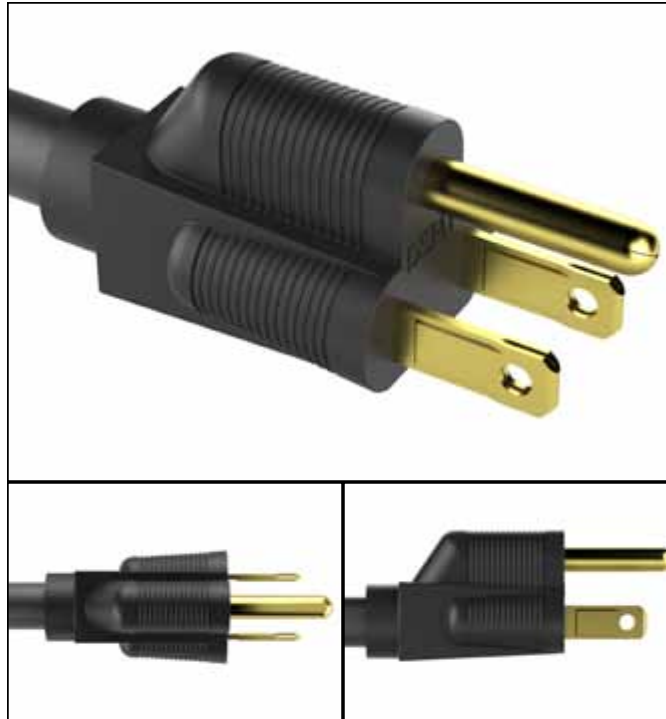
P/N	Current/ Voltage	Cable Specifications		Approval
		Conductor	Type	
C-181-90	10A/125 VAC	2x18 AWG	SPT-1, SPT-2, SJT, SJTW	-




Nema 5-15P

MODEL 1

MOLDED PVC, CUSTOM LENGTHS & COLORS
ROHS COMPLIANT



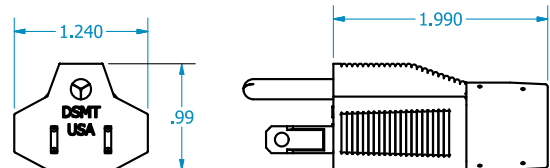
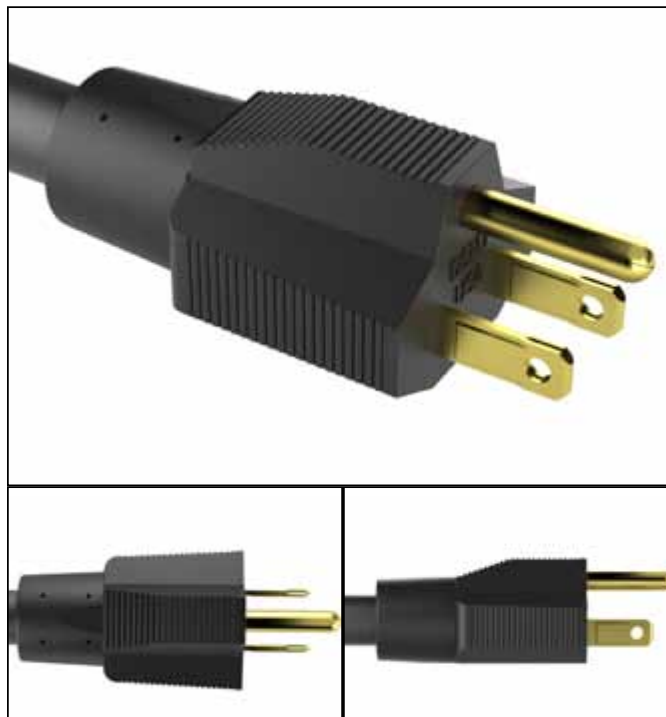
P/N	Current/Voltage	Cable Specifications		Approval
		Conductor	Type	
C-183	10A/125 VAC	3x18 AWG	SJT, SJTW, ST, STW, SJTO, SJTOW, SJO, SJOW, SJOO, SJOOV, SVT, SO, SOW, SOOV, STO, STOW, HPN, HSJ, HSJO	 [USR/CNR]
1831	10A/125 VAC	3x18 AWG	SPT-1	
1832	10A/125 VAC	3x18 AWG	SPT-2	
C-183-SPT3	10A/125 VAC	3x18 AWG	SPT-3	
C-163	13A/125 VAC	3x16 AWG	SJT, SJTW, SJTO, SJTOW, HPN	
C-143	15A/125 VAC	3x14 AWG		
1632	13A/125 VAC	3x16 AWG	SPT-2	
1633	13A/125 VAC	3x16 AWG	SPT-3	
C-183-HP	10A/125 VAC	3x18 AWG	HPN* (SEE NOTE)	
C-163-HP	13A/125 VAC	3x16 AWG	HPN* (SEE NOTE)	
C-143-HP	15A/125 VAC	3x14 AWG	HPN* (SEE NOTE)	


*Plug molded using Santoprene 101-80

Nema 5-15P

MODEL 2

MOLDED PVC, CUSTOM LENGTHS & COLORS
ROHS COMPLIANT




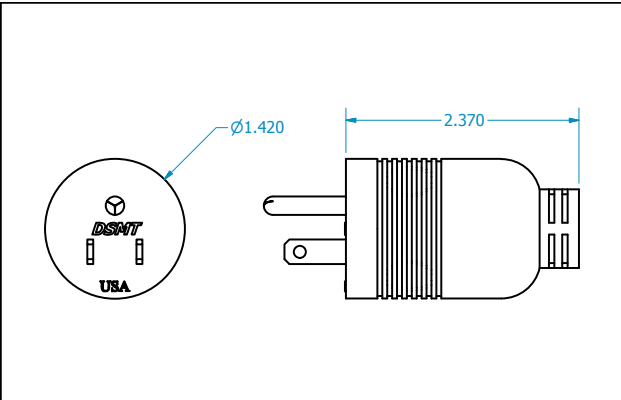
P/N	Current/Voltage	Cable Specifications		Approval
		Conductor	Type	
C-1830-5-15P	10A/125 VAC	3x18 AWG	SJT, SJTW, SJTO, SJTOW, SJO, SJOW, SJOO, SJOOV, SO, SOW, SOOV, ST, STO, STOW, SPT-3, HPN, HSJ, HSJO, SPT-2	 [USR/CNR]
C-1630-5-15P	13A/125 VAC	3x16 AWG	SJT, SJTW, SJTO, SJTOW, SJO, SJOW, SJOO, SJOOV, SO, SOW, SOOV, ST, STO, STOW, SPT-3, HPN, HSJ, HSJO	
C-1430-5-15P	15A/125 VAC	3x14 AWG		
C-1230-5-15P	15A/125 VAC	3x12 AWG		


Power Cord Plugs


Nema 5-15P

MODEL 3

MOLDED PVC, CUSTOM LENGTHS & COLORS
ROHS COMPLIANT


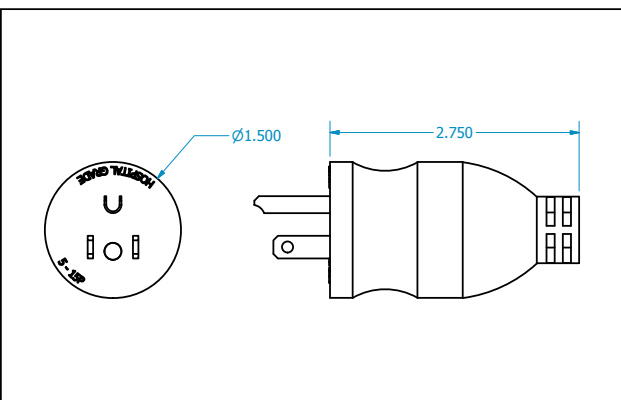
P/N	Current/ Voltage	Cable Specifications		Approval
		Conductor	Type	
C-1830-5-15P-RD	10A/125 VAC	3x18 AWG	SJT, SJTW, SJTO, SJTOW, SJOW, SJOO, SJOOW, SO, SOW, SOOW, ST, STO, STOW, HPN, HSJ, HSJO, SPT-2, SPT-3	 [USR/CNR]
C-1630-5-15P-RD	13A/125 VAC	3x16 AWG	SJT, SJTW, SJTO, SJTOW, SJOW, SJOO, SJOOW, SO, SOW, SOOW, ST, STO, STOW, HPN, HSJ, HSJO, SPT-2, SPT-3	
C-1430-5-15P-RD	15A/125 VAC	3x14 AWG	SJT, SJTW, SJTO, SJTOW, SJOW, SJOO, SJOOW, SO, SOW, SOOW, ST, STO, STOW, HPN, HSJ, HSJO, SPT-2, SPT-3	
C-1230-5-15P-RD	15A/125 VAC	3x12 AWG	SJT, SJTW, SJTO, SJTOW, SJOW, SJOO, SJOOW, SO, SOW, SOOW, ST, STO, STOW, HPN, HSJ, HSJO, SPT-2, SPT-3	



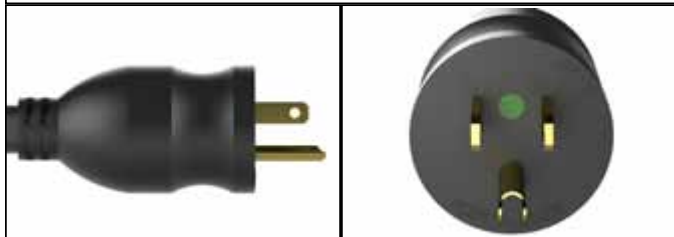
Nema 5-15P

● **HOSPITAL GRADE** ●

MOLDED PVC, CUSTOM LENGTHS & COLORS
ROHS COMPLIANT

P/N	Current/ Voltage	Cable Specifications		Approval
		Conductor	Type	
HG 5-15P	10A/125 VAC	3x18 AWG	SJT, SJTW	
	13A/125 VAC	3x16 AWG		
	15A/125 VAC	3x14 AWG		
	15A/125 VAC	3x12 AWG		

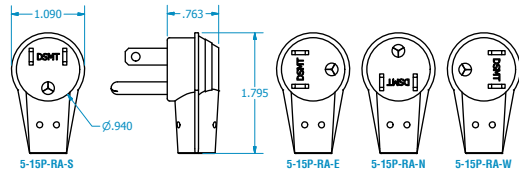



Power Cord Plugs

Nema 5-15P

RIGHT ANGLE - MODEL 1

MOLDED PVC, CUSTOM LENGTHS & COLORS
ROHS COMPLIANT



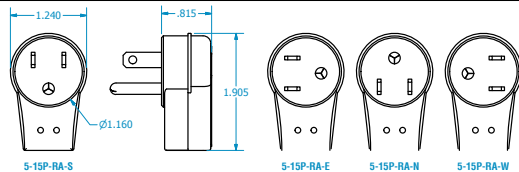
P/N	Current/Voltage	Cable Specifications		Approval
		Conductor	Type	
5-15P-RA-S	10A/125 VAC	3x18 AWG	SPT-2, SVT, SJT, SJ, SJTW, SJTO, SJTOW, SJOW, SJOW, SJOO, SJOOOW, SO, SOW, SOOW, ST, STW, STO, STOW, HPN, HSJ, HSJO, SPT-3	 [USR/CNR]
5-15P-RA-N				
5-15P-RA-W				
5-15P-RA-E				
	13A/125 VAC	3x16 AWG	SPT-2, SGT, SJ, SJTW, SJTO, SJTOW, SJOO, SJOOOW, SO, SOW, SOOW, HPN, HSJ, HSJO, SPT-3	
	15A/125 VAC	3x14 AWG	SPT-2, SGT, SJ, SJTW, SJTO, SJTOW, SJO, SJOW, SJOO, SJOOOW	


*Plug molded using Santoprene 101-80

Nema 5-15P

RIGHT ANGLE - MODEL 2

MOLDED PVC, CUSTOM LENGTHS & COLORS
ROHS COMPLIANT



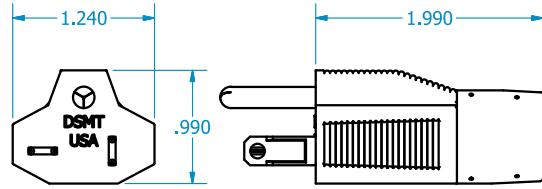
P/N	Current/Voltage	Cable Specifications		Approval
		Conductor	Type	
5-15P-RA-S	10A/125 VAC	3x18 AWG	SPT-2, SVT, SGT, SJ, SJTW, SJTO, SJTOW, SJO, SJOW, SJOO, SJOOOW, SO, SOW, SOOW, ST, STW, STO, STO, STOW, HPN, HSJ, HSJO, SPT-3	 [USR/CNR]
5-15P-RA-N				
5-15P-RA-W				
5-15P-RA-E				
	13A/125 VAC	3x16 AWG	SPT-2, SGT, SJ, SJTW, SJTO, SJTOW, SJO, SJOW, SJOO, SJOOOW, SO, SOW, SOOW, ST, STW, STO, STO, STOW, HPN, HSJ, HSJO, SPT-3	
	15A/125 VAC	3x14 AWG	SPT-2, SGT, SJ, SJTW, SJTO, SJTOW, SJO, SJOW, SJOO, SJOOOW, SO, SOW, SOOW, ST, STW, STO, STO, STOW, HPN, HSJ, HSJO, SPT-3	
	15A/125 VAC	3x12 AWG	SJT, SJ, SJTW, SJTO, SJTOW, SJO, SJOW, SJOO, SJOOOW, SO, SOW, SOOW, ST, STW, STO, STO, STOW, HPN, HSJ, HSJO, SPT-3	



Power Cord Plugs

Nema 5-20P

UP TO 20 AMP

MOLDED PVC, CUSTOM LENGTHS & COLORS
ROHS COMPLIANT

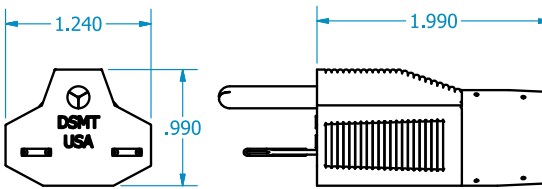




P/N	Current/ Voltage	Cable Specifications		Approval
		Conductor	Type	
C-1830-5-20P	10A/125 VAC	3x18 AWG	SJT, SJTW, SJTO, SJTOW, SJO, SJOW, SJOO, SJOOOW, SO, SOW, SOOW, ST, STO, STOW, SPT-3, HPN, HSJ, HSJO, SPT-2	 [USR/CNR]
C-1630-5-20P	13A/125 VAC	3x16 AWG	SJT, SJTW, SJTO, SJTOW, SJO, SJOW, SJOO, SJOOOW, SO, SOW, SOOW, ST, STO, STOW, SPT-3, HPN, HSJ, HSJO	
C-1430-5-20P	18A/125 VAC	3x14 AWG	SJT, SJTW, SJTO, SJTOW, SJO, SJOW, SJOO, SJOOOW, SO, SOW, SOOW, ST, STO, STOW, SPT-3, HPN, HSJ, HSJO	
C-1230-5-20P	20A/125 VAC	3x12 AWG	SJT, SJTW, SJTO, SJTOW, SJO, SJOW, SJOO, SJOOOW, SO, SOW, SOOW, ST, STO, STOW, SPT-3, HPN, HSJ, HSJO	 [USR/CNR]

Nema 6-15P

250 VAC

MOLDED PVC, CUSTOM LENGTHS & COLORS
ROHS COMPLIANT



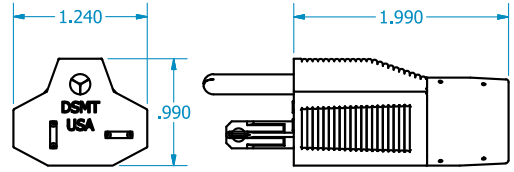
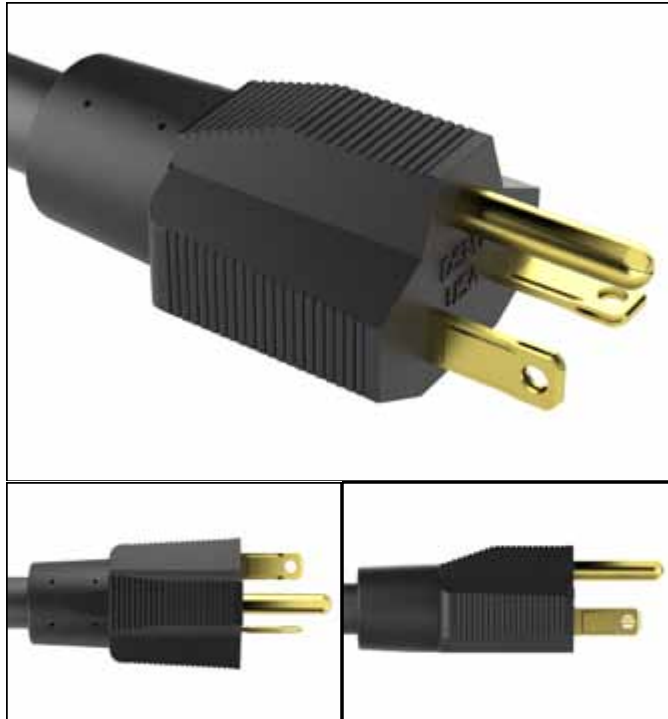
P/N	Current/ Voltage	Cable Specifications		Approval
		Conductor	Type	
C-1830-6-15P	10A/250 VAC	3x18 AWG	SJT, SJTW, SJTO, SJTOW, SJO, SJOW, SJOO, SJOOOW, SO, SOW, SOOW, ST, STO, STOW, SPT-3, HPN, HSJ, HSJO, SPT-2	 [USR/CNR]
C-1630-6-15P	13A/250 VAC	3x16 AWG	SJT, SJTW, SJTO, SJTOW, SJO, SJOW, SJOO, SJOOOW, SO, SOW, SOOW, ST, STO, STOW, SPT-3, HPN, HSJ, HSJO	
C-1430-6-15P	15A/250 VAC	3x14 AWG	SJT, SJTW, SJTO, SJTOW, SJO, SJOW, SJOO, SJOOOW, SO, SOW, SOOW, ST, STO, STOW, SPT-3, HPN, HSJ, HSJO	
C-1230-6-15P	18A/250 VAC	3x12 AWG	SJT, SJTW, SJTO, SJTOW, SJO, SJOW, SJOO, SJOOOW, SO, SOW, SOOW, ST, STO, STOW, SPT-3, HPN, HSJ, HSJO	 [USR/CNR]



Power Cord Plugs

Nema 6-20P

250 VAC | UP TO 20 AMP

MOLDED PVC, CUSTOM LENGTHS & COLORS
ROHS COMPLIANT

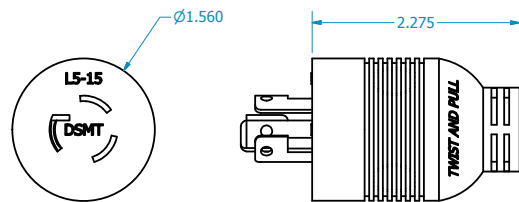



P/N	Current/Voltage	Cable Specifications		Approval
		Conductor	Type	
C-1830-6-20P	10A/250 VAC	3x18 AWG	SJT, SJTW, SJTO, SJTOW, SJO, SJOW, SJOJ, SJOOW, SO, SOW, SOOW, ST, STO, STOW, SPT-3	  [USR/CNR]
C-1630-6-20P	13A/250 VAC	3x16 AWG		
C-1430-6-20P	18A/250 VAC	3x14 AWG		
C-1230-6-20P	20A/250 VAC	3x12 AWG		

Nema L5-15P

LOCKING

MOLDED PVC, CUSTOM LENGTHS & COLORS
ROHS COMPLIANT



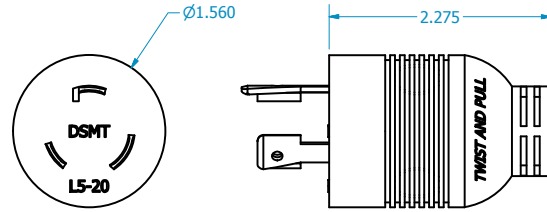
P/N	Current/Voltage	Cable Specifications		Approval
		Conductor	Type	
C163-L515P	13A/125 VAC	3x16 AWG	SJT, SJTO, SJTW, SJ, SJTOW, SJO, SJOW, SJOJ, SJOOW, SO, SOW, SOOW, ST, STW, STO, STOW, HPN, HSJ, HSJO, SPT-3	 [USR/CNR]
C143-L515P	15A/125 VAC	3x14 AWG		
C123-L515P	15A/125 VAC	3x12 AWG		
C103-L515P	15A/125 VAC	3x10 AWG		



Power Cord Plugs

Nema L5-20P

LOCKING | UP TO 20 AMP

MOLDED PVC, CUSTOM LENGTHS & COLORS
ROHS COMPLIANT

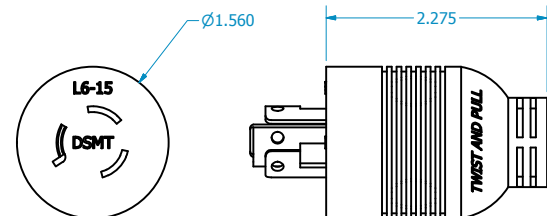



P/N	Current/Voltage	Cable Specifications		Approval
		Conductor	Type	
C-163-L520P	13A/125 VAC	3x16 AWG	SJT, SJTO, SJTW, S.J, SJTOW, SJO, SJOW, SJOO, SJOOW, SO, SOW, SOOW, ST, STW, STO, STOW, HPN, HSJ, HSJO, SPT-3	  [USR/CNR]
C-143-L520P	18A/125 VAC	3x14 AWG		
C-123-L520P	20A/125 VAC	3x12 AWG		
C-103-L520P	20A/125 VAC	3x10 AWG		

Nema L6-15P

LOCKING | 250VAC

MOLDED PVC, CUSTOM LENGTHS & COLORS
ROHS COMPLIANT



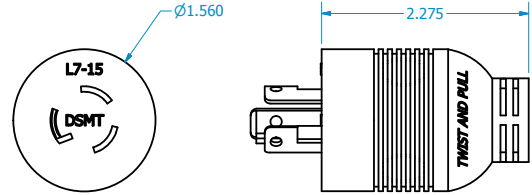
P/N	Current/Voltage	Cable Specifications		Approval
		Conductor	Type	
C-163-L615P	13A/250 VAC	3x16 AWG	SJT, SJTO, SJTW, S.J, SJTOW, SJO, SJOW, SJOO, SJOOW, SO, SOW, SOOW, ST, STW, STO, STOW, HPN, HSJ, HSJO, SPT-3	 [USR/CNR]
C-143-L615P	15A/250 VAC	3x14 AWG		
C-123-L615P	15A/250 VAC	3x12 AWG		
C-103-L615P	15A/250 VAC	3x10 AWG		


Power Cord Plugs

Nema L7-15P

LOCKING | 277 VAC

MOLDED PVC, CUSTOM LENGTHS & COLORS
ROHS COMPLIANT

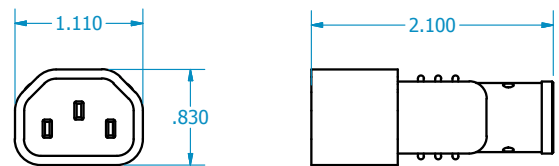



P/N	Current/ Voltage	Cable Specifications		Approval
		Conductor	Type	
C-163-L715P	13A/277 VAC	3x16 AWG	SJT, SJTO, SJTW, SJ, SJTOW, SJO, SJOW, SJOO, SJOOW, SO, SOW, SOOW, ST, STW, STO, STOW, HPN, HSJ, HSJO, SPT-3	 [USR/CNR]
C-143-L715P	15A/277 VAC	3x14 AWG		
C-123-L715P	15A/277 VAC	3x12 AWG		
C-103-L715P	15A/277 VAC	3x10 AWG		

IEC-60320 Plug

UP TO 18 AMPS

MOLDED PVC, CUSTOM LENGTHS & COLORS
ROHS COMPLIANT



P/N	Current/ Voltage	Cable Specifications		Approval
		Conductor	Type	
BM-183P	10A/250 VAC	3x18 AWG	SJT, SJTW, SJO, SJOW, SJOO, SJOOW, SJTO, SJTOW	
BM-163P	13A/250 VAC	3x16 AWG		
BM-143P	18A/250 VAC	3x14 AWG		

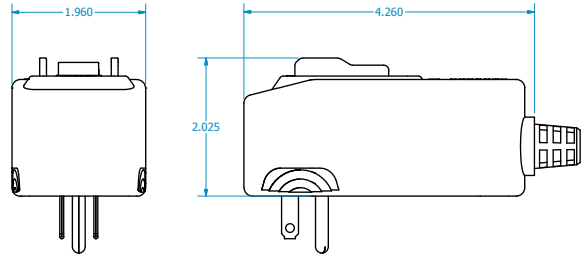
Power Cord Plugs


GFCI 5-15P

GROUND FAULT CIRCUIT INTERRUPTER

CUSTOM CORD LENGTHS & COLORS

ROHS COMPLIANT

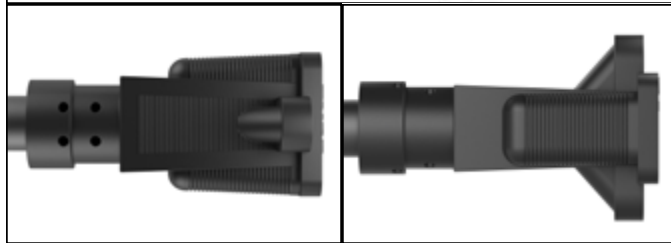
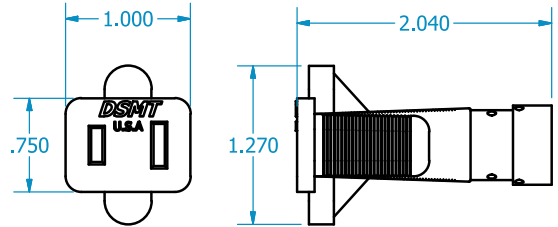


P/N	Current/ Voltage	Cable Specifications		Approval
		Conductor	Type	
GFCI	10A/125 VAC	3x18 AWG	S,SOW, SOOW, ST, STW, STOW, STOOW, SJT, SJTW, SJTOW, SJTOOW	
	13A/125 VAC	3x16 AWG		
	15A/125 VAC	3x14 AWG		
	15A/125 VAC	3x12 AWG		

Power Cord Receptacles

Nema 1-15R

MOLDED PVC, CUSTOM LENGTHS & COLORS
ROHS COMPLIANT

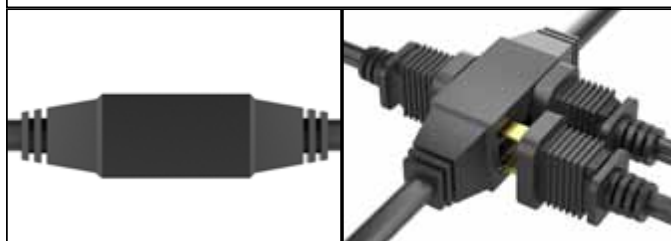
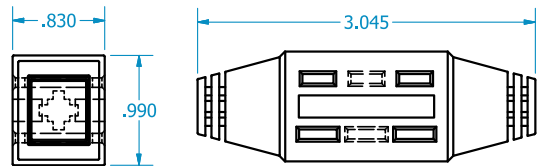


P/N	Current/ Voltage	Cable Specifications		Approval
		Conductor	Type	
R-161	13A/125 VAC	2x16 AWG	SJT, SJTW	

Nema 1-15R - Multi-Receptacle

MOLDED PVC, CUSTOM LENGTHS & COLORS
ROHS COMPLIANT

THROUGH CORD




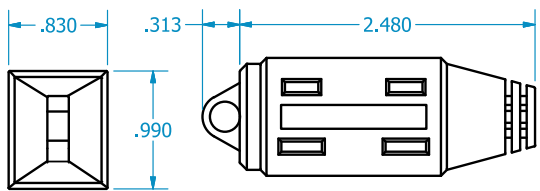
P/N	Current/ Voltage	Cable Specifications		Approval
		Conductor	Type	
R-161-S	13A/125 VAC	2X16 AWG	SPT-2	-

Power Cord Receptacles

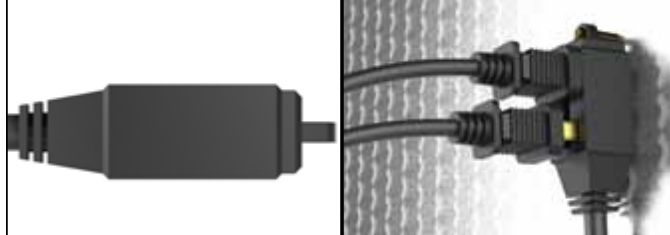
Nema 1-15R - Multi-Receptacle

CORD END

MOLDED PVC, CUSTOM LENGTHS & COLORS
ROHS COMPLIANT


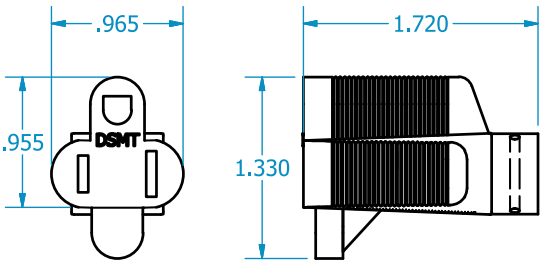
P/N	Current/ Voltage	Cable Specifications		Approval
		Conductor	Type	
R-161-S1	13A/125 VAC	2X16 AWG	SPT-2	-




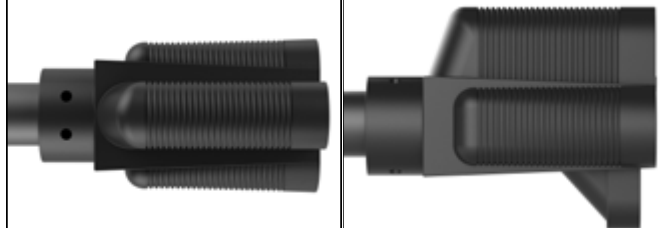
Nema 5-15R

MODEL 1

MOLDED PVC, CUSTOM LENGTHS & COLORS
ROHS COMPLIANT

P/N	Current/ Voltage	Cable Specifications		Approval
		Conductor	Type	
R-163	13A/125 VAC	3x16 AWG	SPT-2, SPT-3, S.J, SJTW, SJO	
R-143	15A/125 VAC	3x14 AWG		



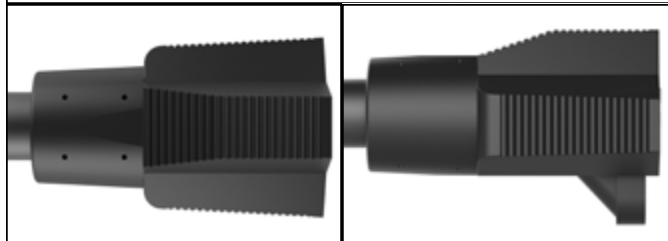
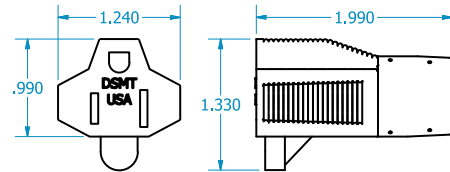
Power Cord Receptacles

Nema 5-15R

MODEL 2

MOLDED PVC, CUSTOM LENGTHS & COLORS

ROHS COMPLIANT



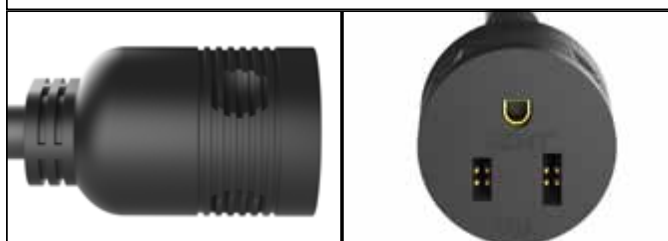
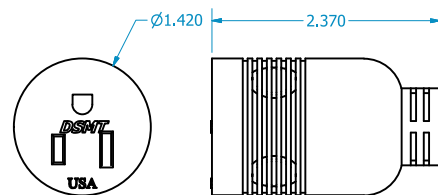
P/N	Current/Voltage	Cable Specifications		Approval
		Conductor	Type	
R-163	13A/125 VAC	3x16 AWG	SPT-2, SPT-3, SJ, SJTW, SJO	-
R-143	15A/125 VAC	3x14 AWG		
R-123	15A/125 VAC	3x12 AWG		


Nema 5-15R

MODEL 3

MOLDED PVC, CUSTOM LENGTHS & COLORS

ROHS COMPLIANT




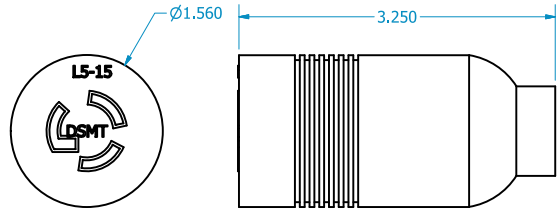
P/N	Current/Voltage	Cable Specifications		Approval
		Conductor	Type	
C-1830-5-15R-RD	10A/125 VAC	3x18 AWG	SJT,SJTW, SJTO, SJTOW, SJO, SJOW, SJOO, SJ00W, SO, SOW, S00W, ST, STO, STOW, SPT-3, HPN, HSJ, HSJO, SPT-2	 [USR/GNR]
C-1630-5-15R-RD	13A/125 VAC	3x16 AWG	SJT,SJTW, SJTO, SJTOW, SJO, SJOW, SJOO, SJ00W, SO, SOW, S00W, ST, STO, STOW, SPT-3, HPN, HSJ, HSJO	
C-1430-5-15R-RD	15A/125 VAC	3x14 AWG	SJT,SJTW, SJTO, SJTOW, SJO, SJOW, SJOO, SJ00W, SO, SOW, S00W, ST, STO, STOW, SPT-3, HPN, HSJ, HSJO	
C-1230-5-15R-RD	15A/125 VAC	3x12 AWG	SJT,SJTW, SJTO, SJTOW, SJO, SJOW, SJOO, SJ00W, SO, SOW, S00W, ST, STO, STOW, SPT-3, HPN, HSJ, HSJO	


Power Cord Receptacles

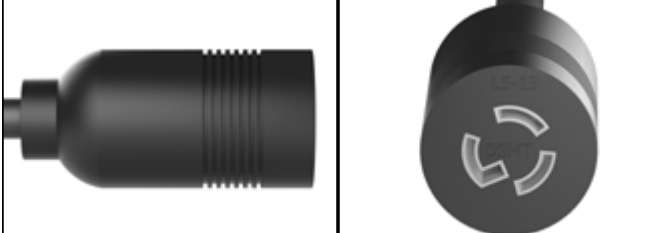
Nema L5-15R

LOCKING

MOLDED PVC, CUSTOM LENGTHS & COLORS
ROHS COMPLIANT


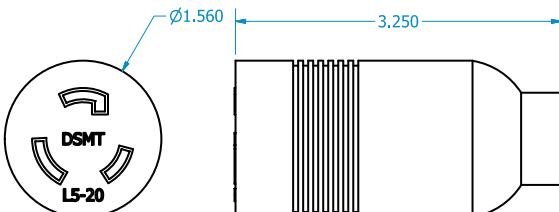
P/N	Current/ Voltage	Cable Specifications		Approval
		Conductor	Type	
C-163-L515R	13A/125 VAC	3x16 AWG	SJT, SJTO, SJTW, SJ	 [USR/CNR]
C-143-L515R	15A/125 VAC	3x14 AWG		
C-123-L515R	15A/125 VAC	3x12 AWG		
C-103-L515R	15A/125 VAC	3x10 AWG		



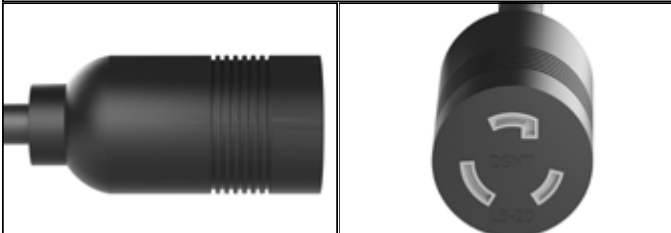
Nema L5-20R

LOCKING

MOLDED PVC, CUSTOM LENGTHS & COLORS
ROHS COMPLIANT

P/N	Current/ Voltage	Cable Specifications		Approval
		Conductor	Type	
C-163-L520R	13A/125 VAC	3x16 AWG	SJT, SJTO, SJTW, SJ	-
C-143-L520R	15A/125 VAC	3x14 AWG		
C-123-L520R	15A/125 VAC	3x12 AWG		
C-103-L520R	15A/125 VAC	3x10 AWG		

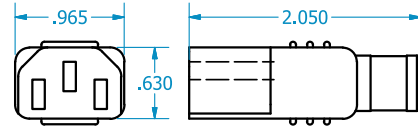



Power Cord Receptacles

IEC-60320

UP TO 18 AMPS | 250VAC

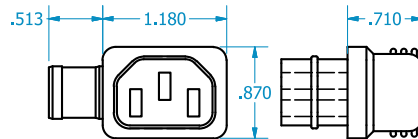
MOLDED PVC, CUSTOM LENGTHS & COLORS
ROHS COMPLIANT




P/N	Current/Voltage	Cable Specifications		Approval
		Conductor	Type	
BM-183	10A/250 VAC	3x18 AWG	SJT	 [USR/CNR]
BM-183-SVT	10A/250 VAC	3x18 AWG	SVT	
BM-163	13A/250 VAC	3x16 AWG	SJT	
BM-143	18A/250 VAC	3x14 AWG	SJT	

IEC-60320 - RIGHT ANGLE

MOLDED PVC, CUSTOM LENGTHS & COLORS
ROHS COMPLIANT



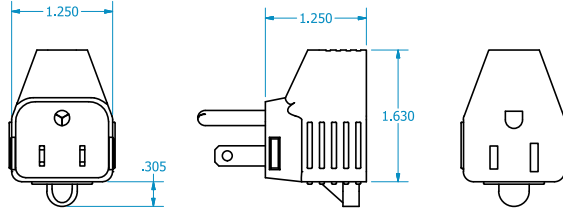
P/N	Current/Voltage	Cable Specifications		Approval
		Conductor	Type	
CEE-22	10A/250 VAC	3x18 AWG	SJT	 [USR/CNR]

Current Taps and Adapters

Current Tap - Nema 5-15

NEMA 5-15 ON BOTH ENDS

MOLDED PVC, CUSTOM LENGTHS & COLORS
ROHS COMPLIANT

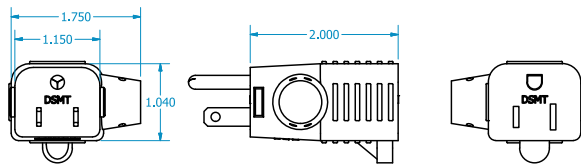
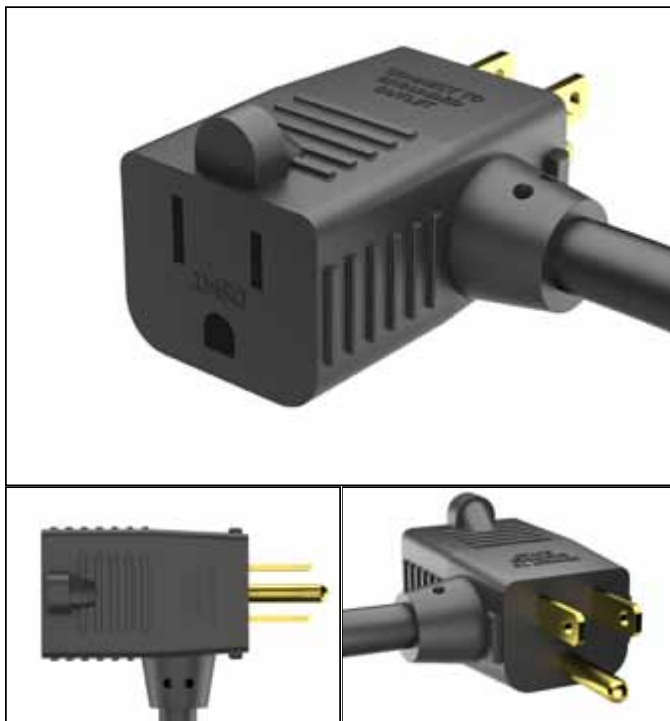


P/N	Current/ Voltage	Cable Specifications		Approval
		Conductor	Type	
CP183-515-T	10A/125 VAC	3x18 AWG	STW, SPT-1, SPT-2, SPT-3, SJT, SJTW, SJTOW, SJO, SJOW, SJO0, SJO0W, SO, SOW, SO0, SO0W, HSJ, HSJO	UL
	13A/125 VAC	3x16 AWG	STW, SPT-2, SPT-3, SJT, SJTW, SJTOW, SJO, SJOW, SJO0, SJO0W, SO, SOW, SO0, SO0W, HSJ, HSJO	

Current Tap - Nema 5-15 R. Angle

NEMA 5-15 ON BOTH ENDS

MOLDED PVC, CUSTOM LENGTHS & COLORS
ROHS COMPLIANT




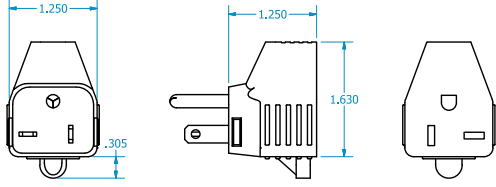
P/N	Current/ Voltage	Cable Specifications		Approval
		Conductor	Type	
PB5-15-INT-SER	10A/125 VAC	2x18 AWG	SJT, SJO	UL
	13A/125 VAC	2x16 AWG		
	15A/125 VAC	2x14 AWG		
PB5-15-INT-PAR	10A/125 VAC	3x18 AWG		
	13A/125 VAC	3x16 AWG		


Current Taps and Adapters



Current Tap - Nema 5-20

NEMA 5-20 ON BOTH ENDS

MOLDED PVC, CUSTOM LENGTHS & COLORS
ROHS COMPLIANT


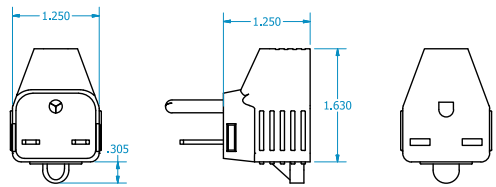
P/N	Current/Voltage	Cable Specifications		Approval
		Conductor	Type	
CP183-520-T	10A/125 VAC	3x18 AWG	STW, SPT-1, SPT-2, SPT-3, SJT, SJTW, SJTOW, SJO, SJOW, SJOO, SJOOW, SO, SOW, SOO, SOOW, HSJ, HSJO	 [USR/CNR]
	13A/125 VAC	3x16 AWG	STW, SPT-2, SPT-3, SJT, SJTW, SJTOW, SJO, SJOW, SJOO, SJOOW, SO, SOW, SOO, SOOW, HSJ, HSJO	







Current Tap - Nema 6-15

NEMA 6-15 ON BOTH ENDS

MOLDED PVC, CUSTOM LENGTHS & COLORS
ROHS COMPLIANT

P/N	Current/Voltage	Cable Specifications		Approval
		Conductor	Type	
CP183-615-T	10A/125 VAC	3x18 AWG	STW, SPT-1, SPT-2, SPT-3, SJT, SJTW, SJTOW, SJO, SJOW, SJOO, SJOOW, SO, SOW, SOO, SOOW, HSJ, HSJO	
	13A/125 VAC	3x16 AWG	STW, SPT-2, SPT-3, SJT, SJTW, SJTOW, SJO, SJOW, SJOO, SJOOW, SO, SOW, SOO, SOOW, HSJ, HSJO	


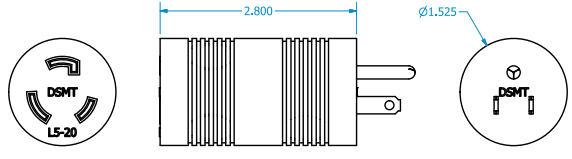



Current Taps and Adapters


Adapter - L5-20R to 5-15P

20 AMPS

MOLDED PVC, CUSTOM LENGTHS & COLORS
ROHS COMPLIANT


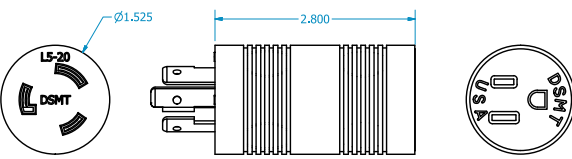
P/N	Current/ Voltage	Cable Specifications		Approval
		Conductor	Type	
PB-515P-L520R	20A/125 VAC	3x12 AWG		-




Adapter - 5-15R to L5-20P

20 AMPS

MOLDED PVC, CUSTOM LENGTHS & COLORS
ROHS COMPLIANT

P/N	Current/ Voltage	Cable Specifications		Approval
		Conductor	Type	
PB-L520P-515R	20A/125 VAC	3x12 AWG		-



Specialty Connectors

HTM-MNL Series

PLUG

MOLDED PVC, CUSTOM LENGTHS & COLORS
ROHS COMPLIANT



P/N	Current/Voltage	Cable Specifications		Approval
		Conductor	Type	
HTM-MNL	13A/125 VAC	3X16 AWG	SJT, SJTW, SJTO, SJTOW, SJTOO, SJTOOW	[USR/CNR]
	13A/125 VAC	3X14 AWG		

HTF-MNL Series

RECEPTACLE

MOLDED PVC, CUSTOM LENGTHS & COLORS
ROHS COMPLIANT




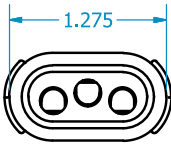
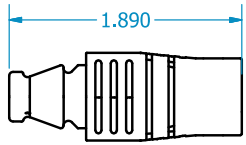
P/N	Current/Voltage	Cable Specifications		Approval
		Conductor	Type	
HTF-MNL	13A/125 VAC	3X16 AWG	SJT, SJTW, SJTO, SJTOW, SJTOO, SJTOOW	[USR/CNR]
	13A/125 VAC	3X14 AWG		

Specialty Connectors

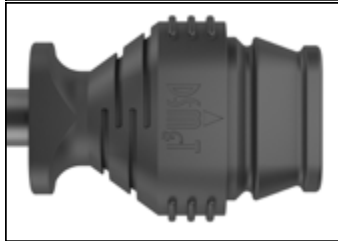

HTM-187 Series

PLUG

MOLDED PVC, CUSTOM LENGTHS & COLORS
ROHS COMPLIANT

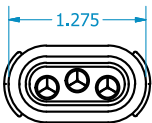
P/N	Current/Voltage	Cable Specifications		Approval
		Conductor	Type	
HTM-187	10A/125 VAC	3X18 AWG	SJT, SJTW, SJTO, SJTOW, SJTOO, SJTOOW, SJO, SJOW, SJOOO, SJOOOW, SO, SOW, SOO, SOOW, ST, STW, STOW, STOO, STOOO, HP, HSJ, HSJO, SPT-1, SPT-2, SPT-3	-
	13A/125 VAC	3X16 AWG	SJT, SJTW, SJTO, SJTOW, SJTOO, SJTOOW, SJO, SJOW, SJOOO, SJOOOW, SO, SOW, SOO, SOOW, ST, STW, STOW, STOO, STOOO, HP, HSJ, HSJO, SPT-1, SPT-2, SPT-3	
	15A-125 VAC	3X14 AWG	SJT, SJTW, SJTO, SJTOW, SJTOO, SJTOOW, SJO, SJOW, SJOOO, SJOOOW, SO, SOW, SOO, SOOW, ST, STW, STOW, STOO, STOOO, HP, HSJ, HSJO, SPT-1, SPT-2, SPT-3	



HTF-187 Series

RECEPTACLE

MOLDED PVC, CUSTOM LENGTHS & COLORS
ROHS COMPLIANT


P/N	Current/Voltage	Cable Specifications		Approval
		Conductor	Type	
HTF-187	10A/125 VAC	3X18 AWG	SJT, SJTW, SJTO, SJTOW, SJTOO, SJTOOW, SJO, SJOW, SJOOO, SJOOOW, SO, SOW, SOO, SOOW, ST, STW, STOW, STOO, STOOO, HP, HSJ, HSJO, SPT-1, SPT-2, SPT-3	-
	13A/125 VAC	3X16 AWG	SJT, SJTW, SJTO, SJTOW, SJTOO, SJTOOW, SJO, SJOW, SJOOO, SJOOOW, SO, SOW, SOO, SOOW, ST, STW, STOW, STOO, STOOO, HP, HSJ, HSJO, SPT-1, SPT-2, SPT-3	
	15A-125 VAC	3X14 AWG	SJT, SJTW, SJTO, SJTOW, SJTOO, SJTOOW, SJO, SJOW, SJOOO, SJOOOW, SO, SOW, SOO, SOOW, ST, STW, STOW, STOO, STOOO, HP, HSJ, HSJO, SPT-1, SPT-2, SPT-3	

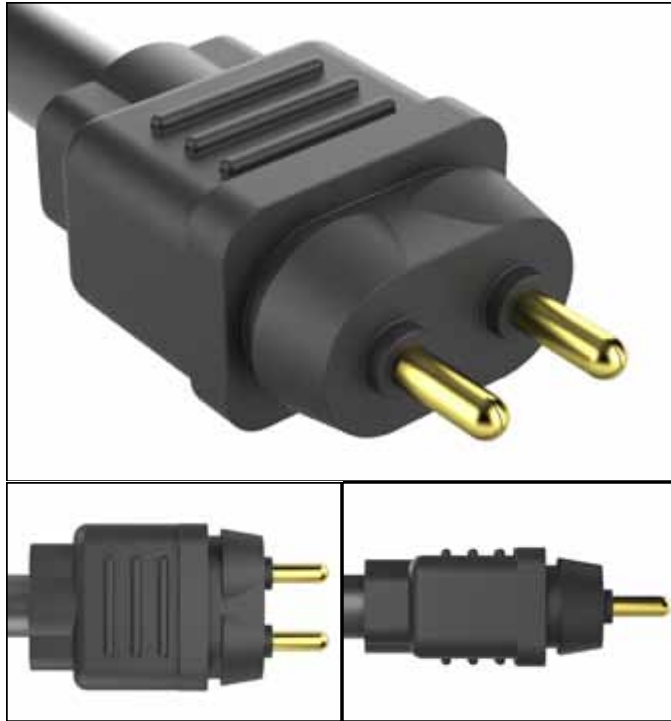



Specialty Connectors

WBP Series

PLUG

MOLDED PVC, CUSTOM LENGTHS & COLORS
ROHS COMPLIANT



		Cable Specifications		Approval
		Conductor	Type	
P/N	Current/Voltage			
WBP-182	10A/125 VAC	2X18 AWG	SJT, SJO, SJTW, SJOW, SJOO, SJTO, SJTOW, SPT-1, SPT-2	
WBP-162	13A/125 VAC	2X16 AWG		

WBP Hooded Series

PLUG

MOLDED PVC, CUSTOM LENGTHS & COLORS
ROHS COMPLIANT




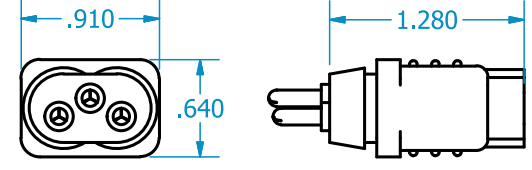
		Cable Specifications		Approval
		Conductor	Type	
P/N	Current/Voltage			
WBP-182H	10A/125 VAC	2X18 AWG	SJT, SJO, SJTW, SJOW, SJOO, SJTO, SJTOW, SPT-1, SPT-2	
WBP-162H	13A/125 VAC	2X16 AWG		


Specialty Connectors


WBP Series

PLUG

MOLDED PVC, CUSTOM LENGTHS & COLORS
ROHS COMPLIANT


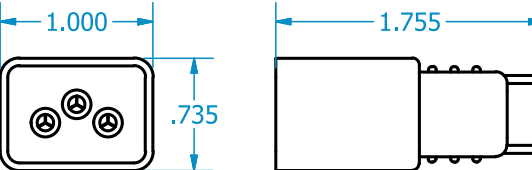
P/N	Current/ Voltage	Cable Specifications		Approval
		Conductor	Type	
WBP-183	7A/125 VAC	3X18 AWG	SJT, SJO, SJTW, SJOW, SJOO, SJ00W, SJTO, SJTOW, SPT-1, SPT-2	





WBP Hooded Series

PLUG

MOLDED PVC, CUSTOM LENGTHS & COLORS
ROHS COMPLIANT

P/N	Current/ Voltage	Cable Specifications		Approval
		Conductor	Type	
WBP-183H	7A/125 VAC	3X18 AWG	SJT, SJO, SJTW, SJOW, SJOO, SJ00W, SJTO, SJTOW, SPT-1, SPT-2	


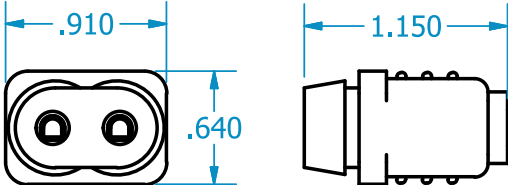
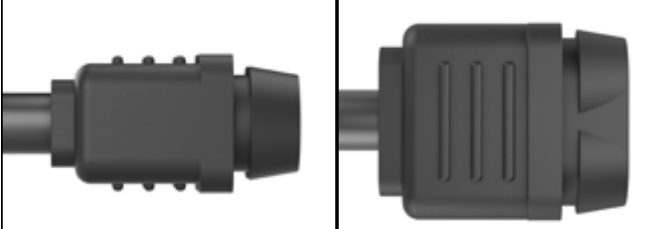


Specialty Connectors

WBR Series

RECEPTACLE


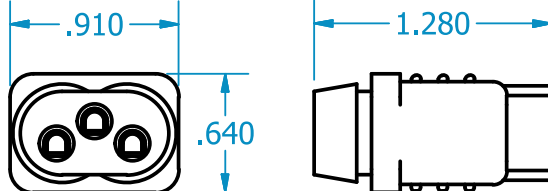

MOLDED PVC, CUSTOM LENGTHS & COLORS
ROHS COMPLIANT

					
		P/N	Current/Voltage	Cable Specifications	
		Conductor	Type		
		WBR-182	10A/125 VAC	2X18 AWG	Leads UL Style 1015 Cords SPT-1, SPT-2, SPT-3, SJT, SJTW, SJTO, SJTOW, SJTOO, SJTOOW
WBR-162	13A/125 VAC	2X16 AWG			

WBR Series

RECEPTACLE

MOLDED PVC, CUSTOM LENGTHS & COLORS
ROHS COMPLIANT

					
		P/N	Current/Voltage	Cable Specifications	
		Conductor	Type		
		WBR-183	7A/125 VAC	3X18 AWG	Leads UL Style 1015 Cords SPT-1, SPT-2, SPT-3, SJT, SJTW, SJTO, SJTOW, SJTOO, SJTOOW
WBR-163	13A/125 VAC	3X16 AWG			


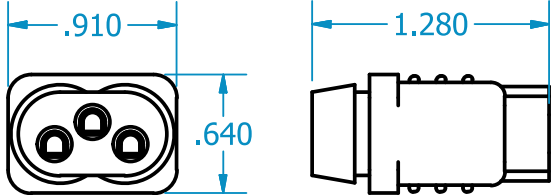


Specialty Connectors

WBR Series II

RECEPTACLE

MOLDED PVC, CUSTOM LENGTHS & COLORS

ROHS COMPLIANT

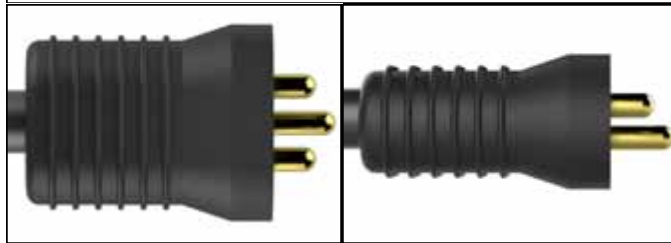
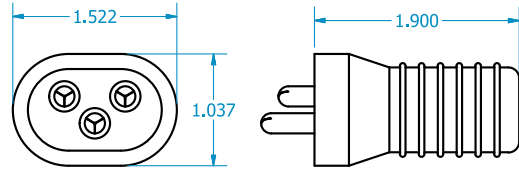
													
		<table border="1"> <thead> <tr> <th rowspan="2">P/N</th> <th rowspan="2">Current/ Voltage</th> <th colspan="2">Cable Specifications</th> <th rowspan="2">Approval</th> </tr> <tr> <th>Conductor</th> <th>Type</th> </tr> </thead> <tbody> <tr> <td>WBR-182-1</td> <td>10A/125 VAC</td> <td>3X18 AWG</td> <td>18/2 SJTW and UL Style 1015 Green</td> <td>  </td> </tr> </tbody> </table>	P/N	Current/ Voltage	Cable Specifications		Approval	Conductor	Type	WBR-182-1	10A/125 VAC	3X18 AWG	18/2 SJTW and UL Style 1015 Green
P/N	Current/ Voltage	Cable Specifications			Approval								
		Conductor	Type										
WBR-182-1	10A/125 VAC	3X18 AWG	18/2 SJTW and UL Style 1015 Green										

Specialty Connectors

WPB Series

UP TO 30 AMPS & 250 VAC

MOLDED PVC, CUSTOM LENGTHS & COLORS
ROHS COMPLIANT

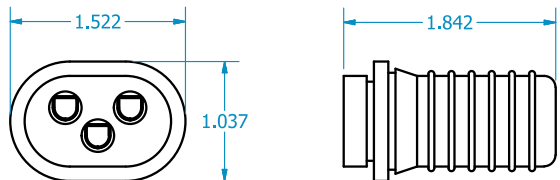


P/N	Current/ Voltage	Cable Specifications		Approval
		Conductor	Type	
WPB Series	10A/250 VAC	3X18 AWG	SJT, SJTW, SJTOW, SJ- TOW, STJ00, SJTOOW, ST, STW, STO, STOW, STOO, STOOW	
	13A/250 VAC	3X16 AWG		
	15A/250 VAC	3X14 AWG		
	20A/250 VAC	3X12 AWG		
	30A/250 VAC	3X10 AWG		

WRB Series

RECEPTACLE | 250 VAC

MOLDED PVC, CUSTOM LENGTHS & COLORS
ROHS COMPLIANT




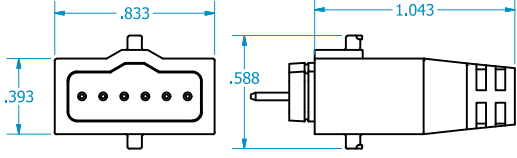
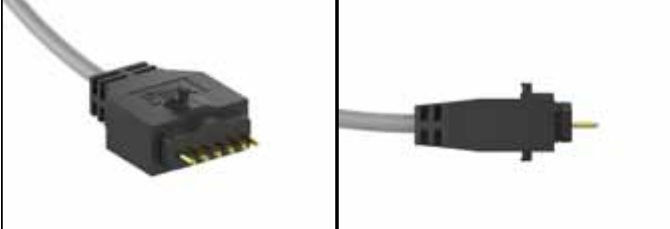
P/N	Current/ Voltage	Cable Specifications		Approval
		Conductor	Type	
WPB Series	10A/250 VAC	3X18 AWG	Leads UL Style 1015 or 1230	
	13A/250 VAC	3X16 AWG	Cords SJT, SJTW, SJTO, SJTOW, SJTOO, SJTOOW, ST, STW, STO, STOW, STOO, STOOW	
	15A/250 VAC	3X14 AWG		

Specialty Micro Connectors

Micro SureConn Plug 710

ONLY .710" WIDE | 2 TO 6 CONDUCTORS


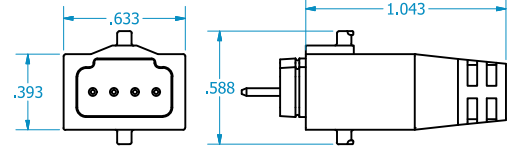
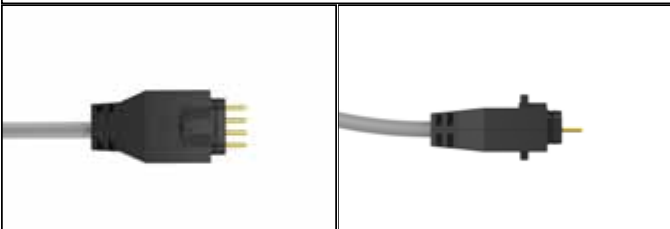
MOLDED PVC, CUSTOM LENGTHS & COLORS
ROHS COMPLIANT

						
		P/N	Current/Voltage	Cable Specifications		Approval
		MSCM Series	Signal Connector	2 to 6 20 or 22 AWG	AWM Style 2464	-

Micro SureConn Plug 510

ONLY .510" WIDE | 2 TO 4 CONDUCTORS

MOLDED PVC, CUSTOM LENGTHS & COLORS
ROHS COMPLIANT


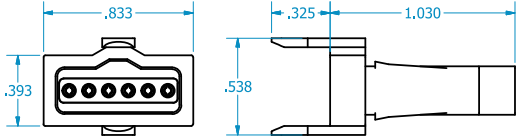
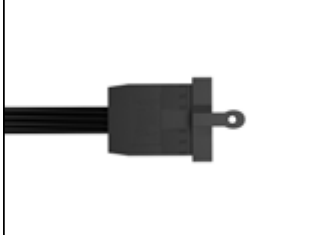
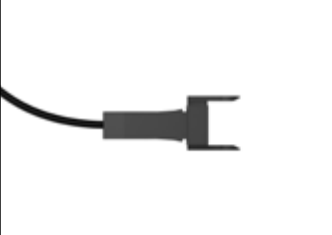
						
		P/N	Current/Voltage	Cable Specifications		Approval
		MSCM Series	Signal Connector	2 to 4 20 or 22 AWG	AWM Style 2464	-

Specialty Micro Connectors

Micro SureConn Receptacle 710

ONLY .710" WIDE | 2 TO 6 CONDUCTORS


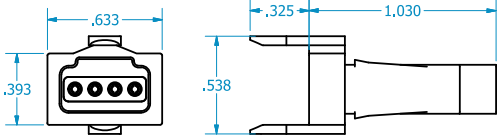
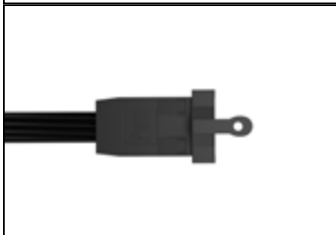
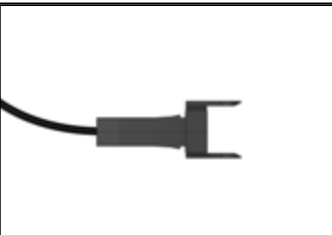
MOLDED PVC, CUSTOM LENGTHS & COLORS
ROHS COMPLIANT

						
		P/N	Current/Voltage	Cable Specifications		Approval
		MSCM Series	Signal Connector	Conductor	Type	-
				2 to 6 20 or 22 AWG	AWM Style 2464	

Micro SureConn Receptacle 510

ONLY .510" WIDE | 2 TO 4 CONDUCTORS

MOLDED PVC, CUSTOM LENGTHS & COLORS
ROHS COMPLIANT

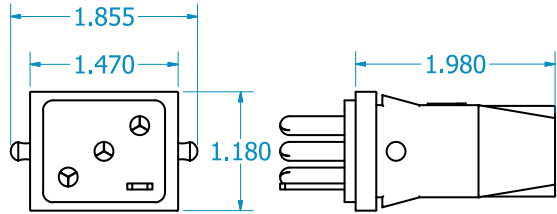
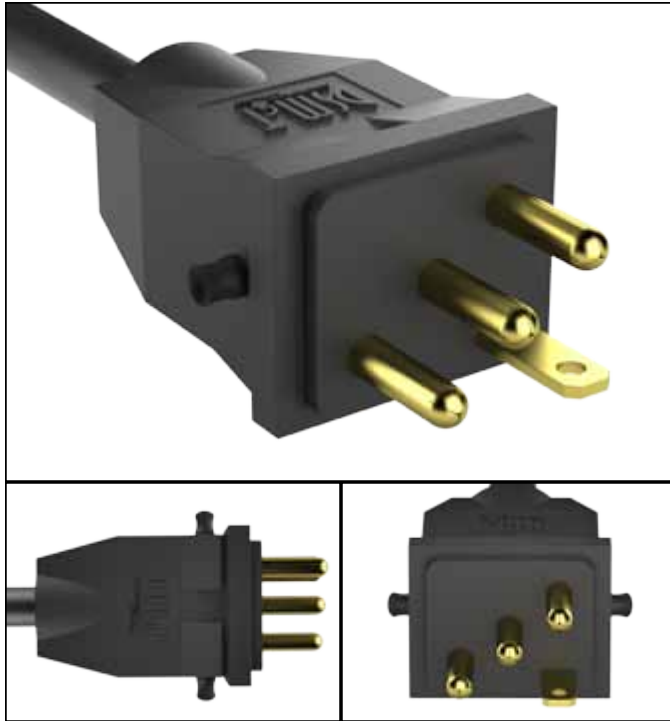
						
		P/N	Current/Voltage	Cable Specifications		Approval
		MSCM Series	Signal Connector	Conductor	Type	-
				2 to 4 20 or 22 AWG	AWM Style 2464	

Spa Connectors

PSA Plug - Locking

UP TO 30 AMPS & 250 VAC

MOLDED PVC, CUSTOM LENGTHS & COLORS
ROHS COMPLIANT

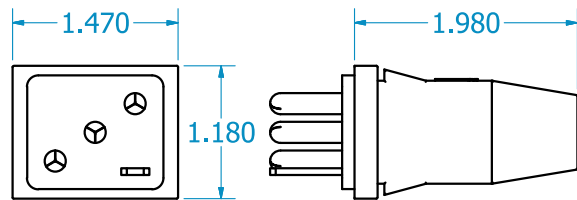


P/N	Current/ Voltage	Cable Specifications		Approval
		Conductor	Type	
PSA Series	10A/250 VAC	18 AWG	SJTW, SJTOW, SJTOOW, SJTO, SJT00, SJT	
	13A/250 VAC	16 AWG		
	15A/250 VAC	14 AWG		
	20A/250 VAC	12 AWG		
	30A/250 VAC	10 AWG		

PSA Plug - Non Locking

UP TO 30 AMPS & 250 VAC

MOLDED PVC, CUSTOM LENGTHS & COLORS
ROHS COMPLIANT

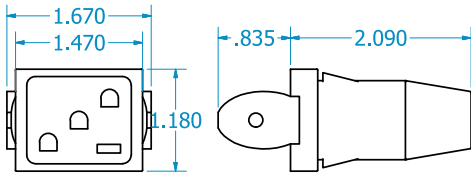
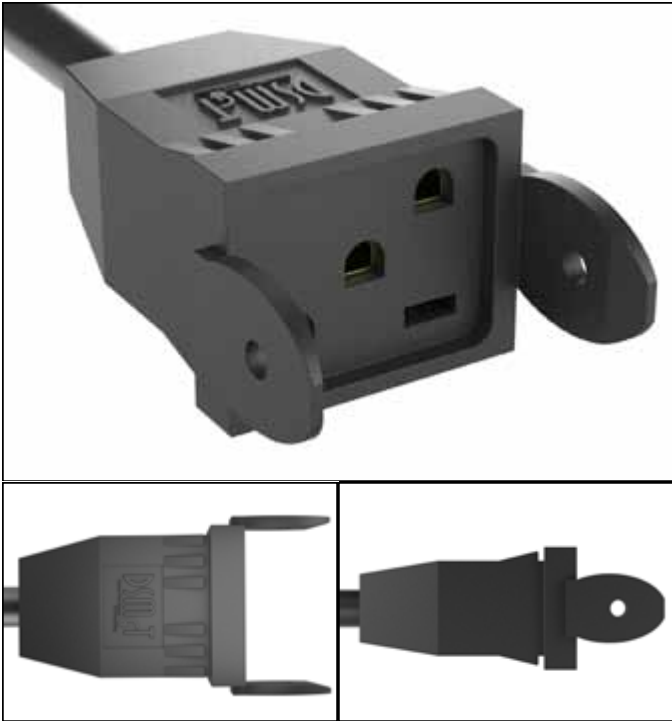


P/N	Current/ Voltage	Cable Specifications		Approval
		Conductor	Type	
PSA Series	10A/250 VAC	18 AWG	SJTW, SJTOW, SJTOOW, SJTO, SJT00, SJT	
	13A/250 VAC	16 AWG		
	15A/250 VAC	14 AWG		
	20A/250 VAC	12 AWG		
	30A/250 VAC	10 AWG		

PSA Receptacle - Locking

UP TO 30 AMPS & 250 VAC

MOLDED PVC, CUSTOM LENGTHS & COLORS
ROHS COMPLIANT

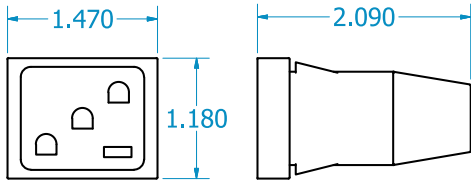
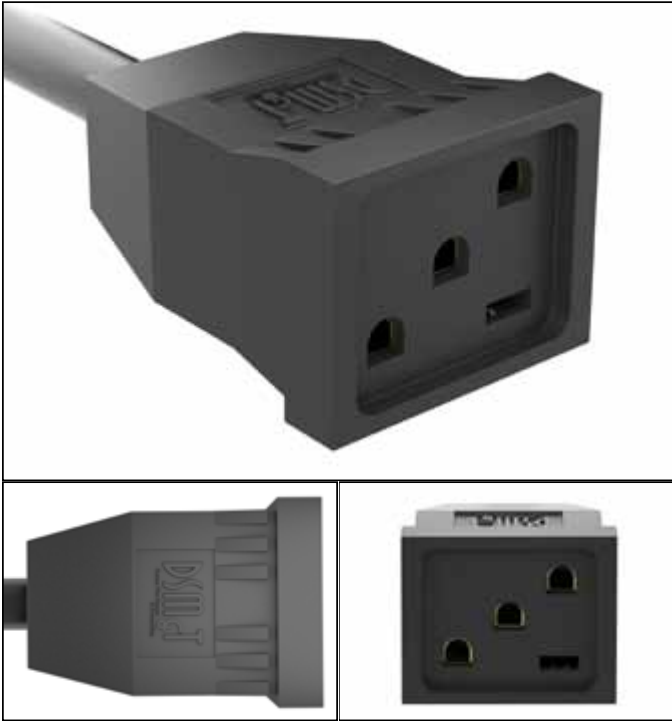


P/N	Current/Voltage	Cable Specifications		Approval
		Conductor	Type	
RSP and RSA Series	10A/250 VAC	18 AWG	Leads UL Style 1015, 1230 Cords SPT-1, SPT-2, SPT-3, SJT, SJTW, SJTO, SJTOW, SJT00W, ST, STW, STO, STOW, STOO, ST00W	
	13A/250 VAC	16 AWG	Leads UL Style 1015, 1230 Cords SPT-2, SPT-3, SJT, SJTW, SJTO, SJTOW, SJT00W, ST, STW, STO, STOW, STOO, ST00W	
	15A/250 VAC	14 AWG		
	20A/250 VAC	12 AWG	Leads UL Style 1015, 1230 Cords SPT-3, SJT, SJTW, SJTO, SJTOW, SJT00W, ST, STW, STO, STOW, STOO, ST00W	
	30A/250 VAC	10 AWG		

PSA Receptacle - Non Locking

UP TO 30 AMPS & 250 VAC

MOLDED PVC, CUSTOM LENGTHS & COLORS
ROHS COMPLIANT



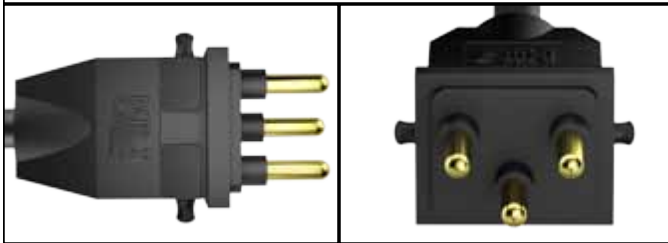
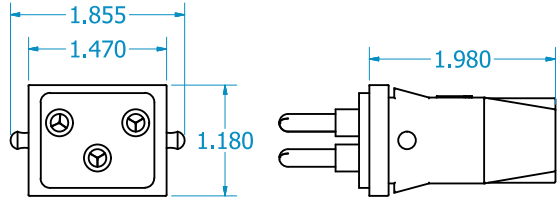
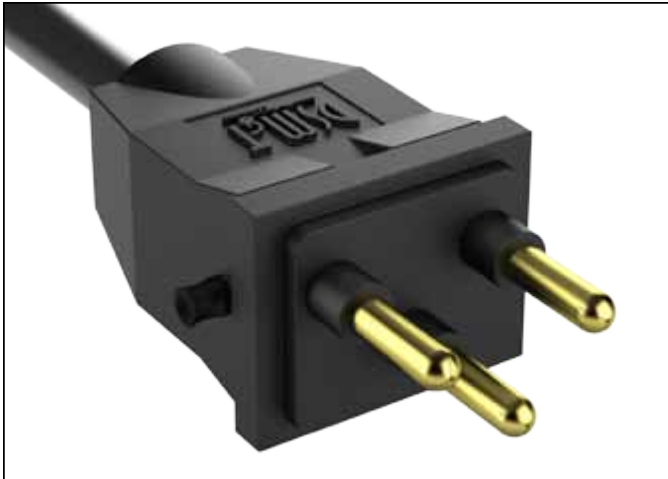
P/N	Current/Voltage	Cable Specifications		Approval
		Conductor	Type	
RSP and RSA Series	10A/250 VAC	18 AWG	Leads UL Style 1015, 1230 Cords SPT-1, SPT-2, SPT-3, SJT, SJTW, SJTO, SJTOW, SJT00W, ST, STW, STO, STOW, STOO, ST00W	
	13A/250 VAC	16 AWG	Leads UL Style 1015, 1230 Cords SPT-2, SPT-3, SJT, SJTW, SJTO, SJTOW, SJT00W, ST, STW, STO, STOW, STOO, ST00W	
	15A/250 VAC	14 AWG		
	20A/250 VAC	12 AWG	Leads UL Style 1015, 1230 Cords SPT-3, SJT, SJTW, SJTO, SJTOW, SJT00W, ST, STW, STO, STOW, STOO, ST00W	
	30A/250 VAC	10 AWG		

Spa Connectors

PSA Plug - Locking

UP TO 30 AMPS & 480 VAC

MOLDED PVC, CUSTOM LENGTHS & COLORS
ROHS COMPLIANT

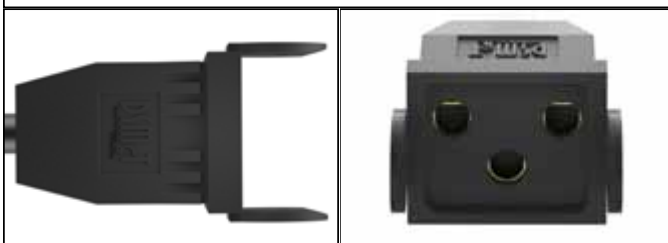
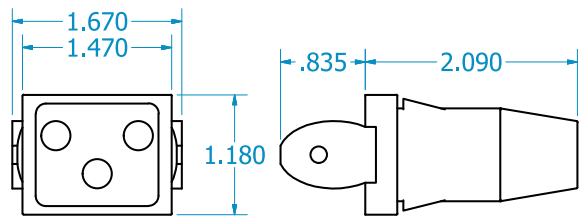


P/N	Current/ Voltage	Cable Specifications		Approval
		Conductor	Type	
PSA-103R-4	10A/480 VAC	18 AWG	SJTW, SJTOW, SJTOOW, SJTO, SJTOD, SJT	
	13A/480 VAC	16 AWG		
	15A/480 VAC	14 AWG		
	20A/480 VAC	12 AWG		
	30A/480 VAC	10 AWG		

PSA Receptacle - Locking

UP TO 30 AMPS & 480 VAC

MOLDED PVC, CUSTOM LENGTHS & COLORS
ROHS COMPLIANT

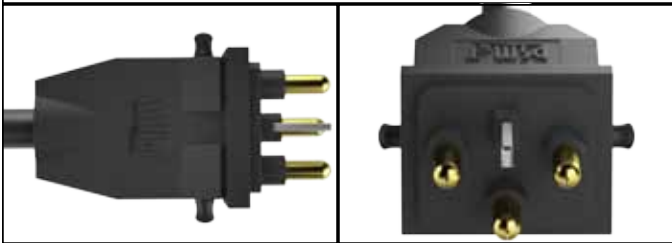
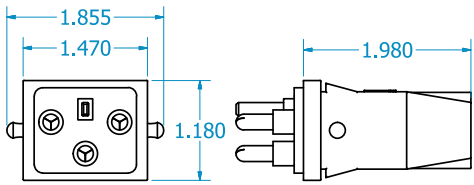


P/N	Current/ Voltage	Cable Specifications		Approval
		Conductor	Type	
RSP-103R-4	10A/480 VAC	18 AWG	UL Style 1015 or 1230	
	13A/480 VAC	16 AWG		
	15A/480 VAC	14 AWG		
	20A/480 VAC	12 AWG		
	30A/480 VAC	10 AWG		

PSA Plug - Locking

UP TO 30 AMPS & 480 VAC

MOLDED PVC, CUSTOM LENGTHS & COLORS
ROHS COMPLIANT

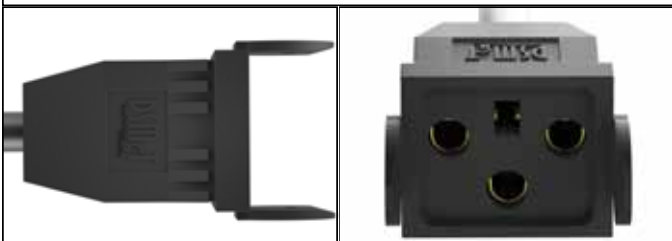
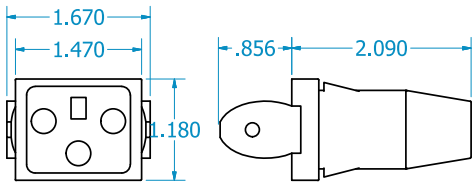


P/N	Current/Voltage	Cable Specifications		Approval
		Conductor	Type	
PSA-103R-4	10A/480 VAC	18 AWG	SJTW, SJTOW, SJTOOW, SJTO, SJTOD, SJT	
	13A/480 VAC	16 AWG		
	15A/480 VAC	14 AWG		
	20A/480 VAC	12 AWG		
	30A/480 VAC	10 AWG		

PSA Receptacle - Locking

UP TO 30 AMPS & 480 VAC

MOLDED PVC, CUSTOM LENGTHS & COLORS
ROHS COMPLIANT



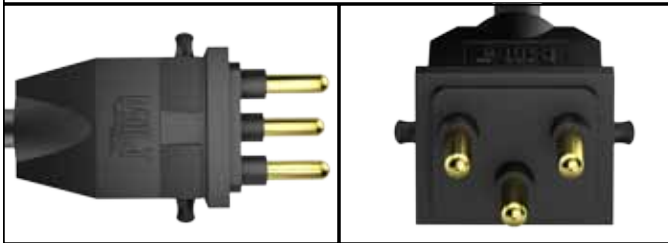
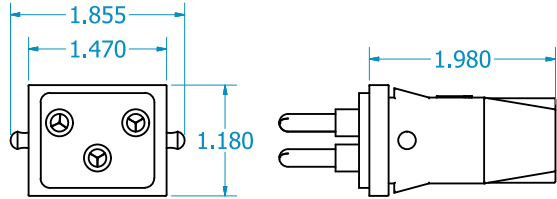
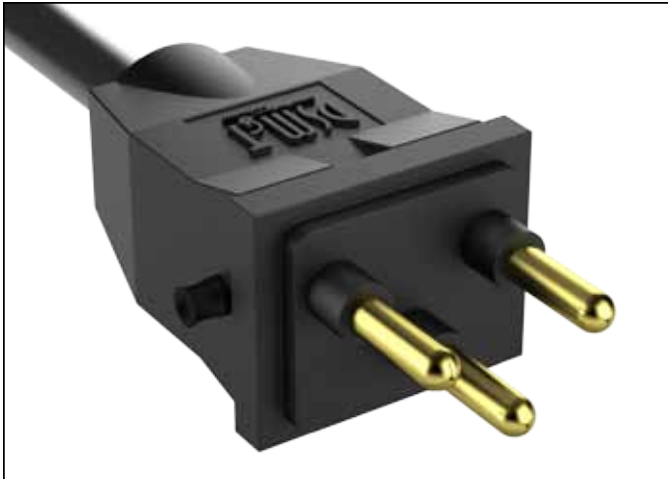
P/N	Current/Voltage	Cable Specifications		Approval
		Conductor	Type	
RSA-104P4 RSP-104P4	10A/480 VAC	18 AWG	Leads UL Style 1015, 1230 Cords SPT-1, SPT-2, SPT-3, SJT, SJTW, SJTO, SJTOW, SJTOOW, ST, STW, STO, STOW, STOD, STOOD	
	13A/480 VAC	16 AWG		
	15A/480 VAC	14 AWG		
	20A/480 VAC	12 AWG		
	30A/480 VAC	10 AWG		


Spa Connectors

PSA Plug - Locking

INTERRUPTIBLE POWER | UP TO 480 VAC

MOLDED PVC, CUSTOM LENGTHS & COLORS
ROHS COMPLIANT

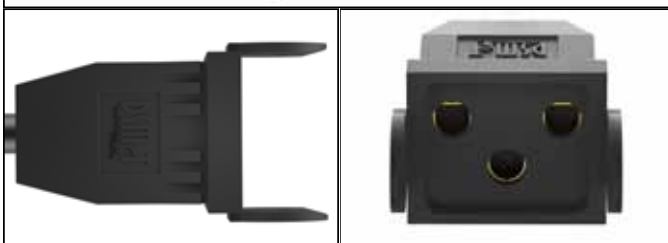
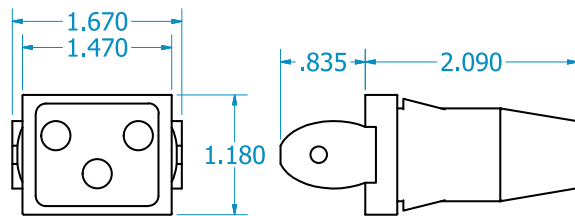



P/N	Current/ Voltage	Cable Specifications		Approval
		Conductor	Type	
PSA-103R-4-IP	12A/120 VAC	3x16, 14, 12, or 10 AWG	SJTW, SJTOW, SJTOOW, SJTO, SJT00, SJT	
	8A/277 VAC	3x16, 14, 12, or 10 AWG		
	4A/480 VAC	3x16, 14, 12, or 10 AWG		

PSA Receptacle - Locking

INTERRUPTIBLE POWER | UP TO 480 VAC

MOLDED PVC, CUSTOM LENGTHS & COLORS
ROHS COMPLIANT




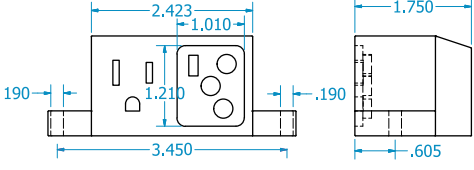
P/N	Current/ Voltage	Cable Specifications		Approval
		Conductor	Type	
RSP-103R-4-IP	12A/120 VAC	3x16, 14, 12, or 10 AWG	SJTW, SJTOW, SJTOOW, SJTO, SJT00, SJT	
	8A/277 VAC	3x16, 14, 12, or 10 AWG		
	4A/480 VAC	3x16, 14, 12, or 10 AWG		


Special Use Multi-Receptacle



SPA PLUG & NEMA 5-15R

MOLDED PVC, CUSTOM LENGTHS & COLORS
ROHS COMPLIANT






P/N	Current/ Voltage	Cable Specifications		Approval
		Conductor	Type	
RSP2154R-2	SPA 14A/125 VAC ANSI 0.7A/125 VAC	18 AWG	SJTW Internal Wiring UL Style 1015	

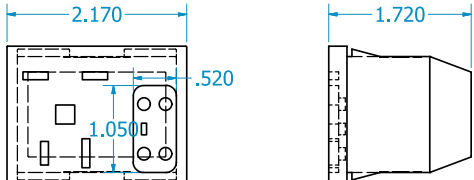




Special Use Multi-Receptacle



SPA PLUG AND NEMA RECEPTACLES

MOLDED PVC, CUSTOM LENGTHS & COLORS
ROHS COMPLIANT





P/N	Current/ Voltage	Cable Specifications		Approval
		Conductor	Type	
S-REC Series	10A/250 VAC Pump 115 or 230 VAC	18 AWG	UL Style 1015 or 1230	
	13A/250 VAC Pump 115 or 230 VAC	16 AWG		
	15A/250 VAC Pump 115 or 230 VAC	14 AWG		
	20A/250 VAC Pump 115 or 230 VAC	12 AWG		
	30A/250 VAC Pump 115 or 230 VAC	10 AWG		

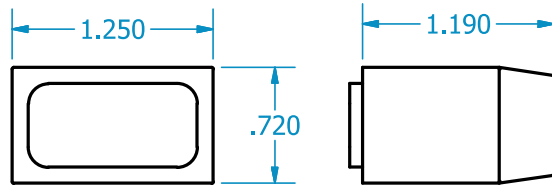
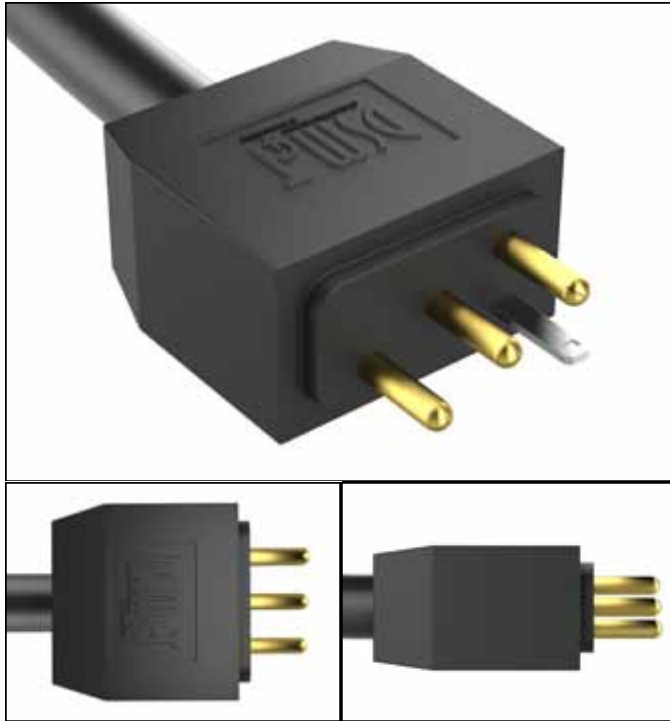



Mini Spa Connectors

Mini Spa Plug

UP TO 30 AMPS & 250 VAC

MOLDED PVC, CUSTOM LENGTHS & COLORS
ROHS COMPLIANT

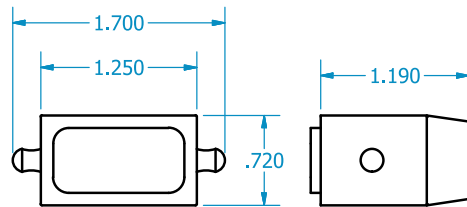
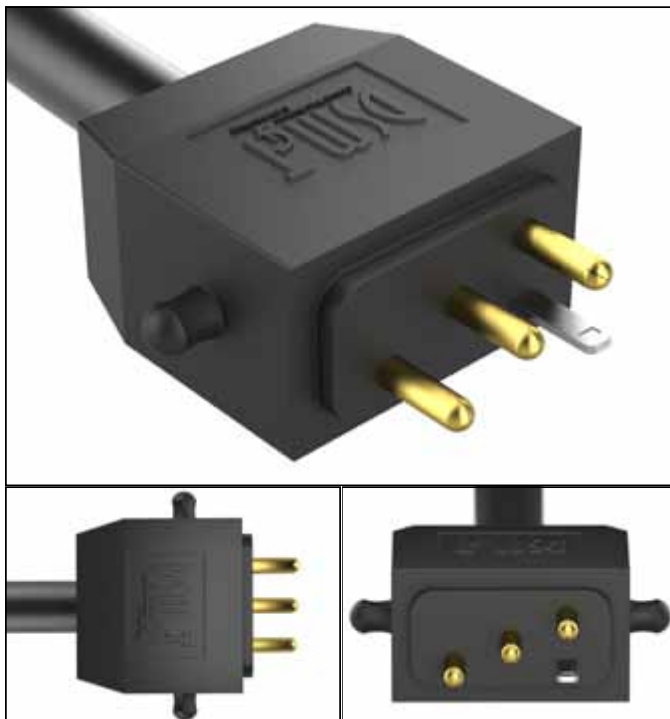


P/N	Current/ Voltage	Cable Specifications		Approval
		Conductor	Type	
MP Series [SSPSA Series]	10A/250 VAC	18 AWG	SPT-1, SPT-2, SPT-3, SJT, SJTW, SJTO, SJTOW, SJTOO, SJTOOW	
	13A/250 VAC	16 AWG	SPT-2, SPT-3, SJT, SJTW, SJTO, SJTOW, SJTOO, SJTOOW	
	15A/250 VAC	14 AWG	SJTOW, SJTOO, SJTOOW	
	20A/250 VAC	12 AWG (Configurations -123P-3 or -124P-1)	SPT-3, SJT, SJTW, SJTO, SJTOW, SJTOO, SJTOOW	
	30A/250 VAC	10 AWG (Configuration -10/3 only)	SJTOW, SJTOO, SJTOOW	

Mini Spa Plug - Locking

UP TO 30 AMPS & 250 VAC

MOLDED PVC, CUSTOM LENGTHS & COLORS
ROHS COMPLIANT



P/N	Current/ Voltage	Cable Specifications		Approval
		Conductor	Type	
MP Series [SSPSA Series]	10A/250 VAC	18 AWG	SPT-1, SPT-2, SPT-3, SJT, SJTW, SJTO, SJTOW, SJTOO, SJTOOW	-
	13A/250 VAC	16 AWG	SPT-2, SPT-3, SJT, SJTW, SJTO, SJTOW, SJTOO, SJTOOW	
	15A/250 VAC	14 AWG	SJTOW, SJTOO, SJTOOW	
	20A/250 VAC	12 AWG (Configurations -123P-3 or -124P-1)	SPT-3, SJT, SJTW, SJTO, SJTOW, SJTOO, SJTOOW	
	30A/250 VAC	10 AWG (Configuration -10/3 only)	SJTOW, SJTOO, SJTOOW	

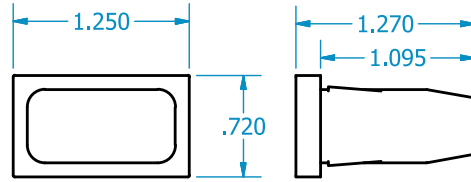
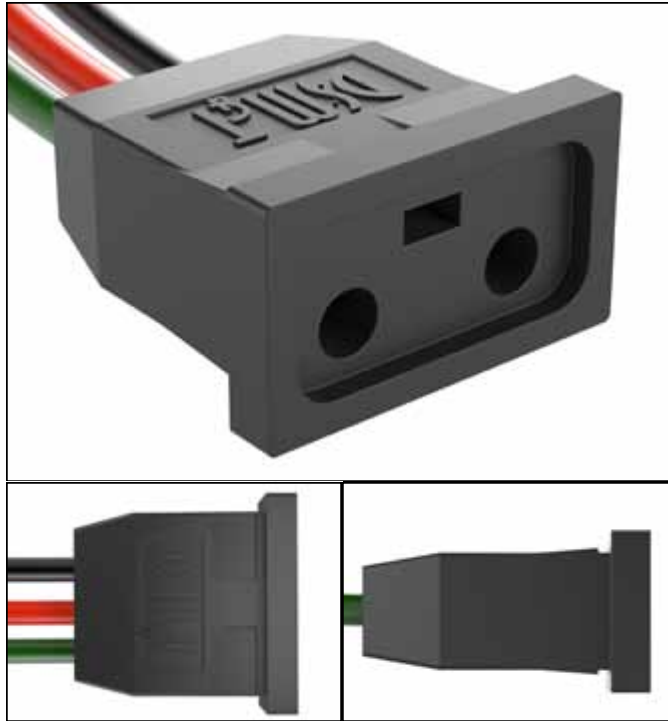
Mini Spa Connectors


Mini Spa Receptacle

UP TO 30 AMPS & 250 VAC

MOLDED PVC, CUSTOM LENGTHS & COLORS

ROHS COMPLIANT



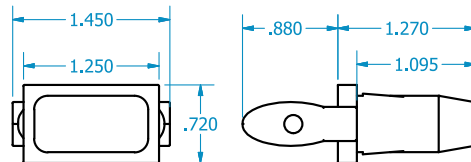
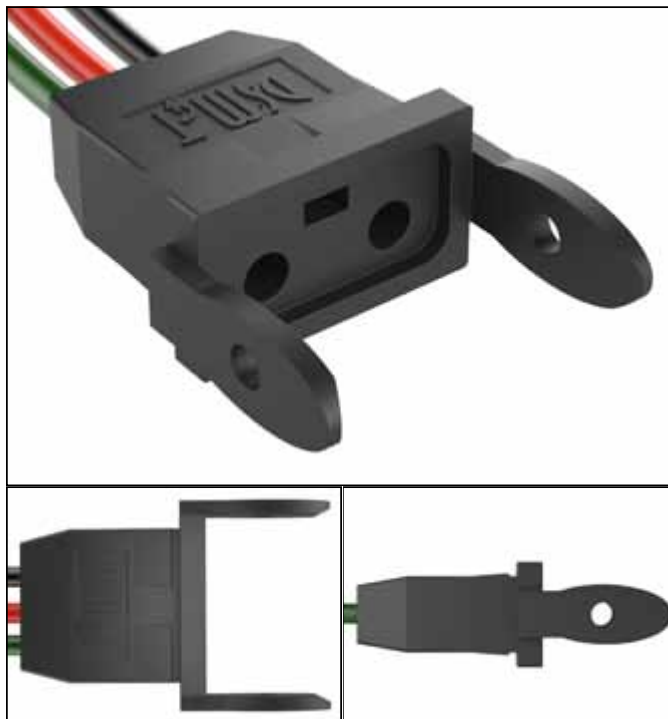
P/N	Current/ Voltage	Cable Specifications		Approval
		Conductor	Type	
MR Series [SSRSP Series]	10A/250 VAC	18 AWG	Leads UL Style 1015 or 1230 Cords SPT-1, SPT-2, SPT-3, SJT, SJTW, SJTO, SJTOW, SJTOO, SJTOOW, ST, STW, STO, STOO, STOOO	 [USR/CNR]
	13A/250 VAC	16 AWG	Leads UL Style 1015 or 1230 Cords SPT-2, SPT-3, SJT, SJTW, SJTO, SJTOW, SJTOO, SJTOOW, ST, STW, STO, STOO, STOOO	
	15A/250 VAC	14 AWG	Leads UL Style 1015 or 1230 Cords SPT-2, SPT-3, SJT, SJTW, SJTO, SJTOW, SJTOO, SJTOOW, ST, STW, STO, STOO, STOOO	
	20A/250 VAC	12 AWG (Configurations -123P-3 or -124P-1)	Leads UL Style 1015 or 1230 Cords SPT-3, SJT, SJTW, SJTO, SJTOW, SJTOO, SJTOOW, ST, STW, STO, STOO, STOOO	
	30A/250 VAC	10 AWG (Configuration -10/3 only)	Leads UL Style 1015 or 1230 Cords SPT-3, SJT, SJTW, SJTO, SJTOW, SJTOO, SJTOOW, ST, STW, STO, STOO, STOOO	

Mini Spa Receptacle - Locking

UP TO 30 AMPS & 250 VAC

MOLDED PVC, CUSTOM LENGTHS & COLORS

ROHS COMPLIANT



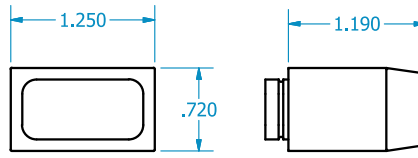
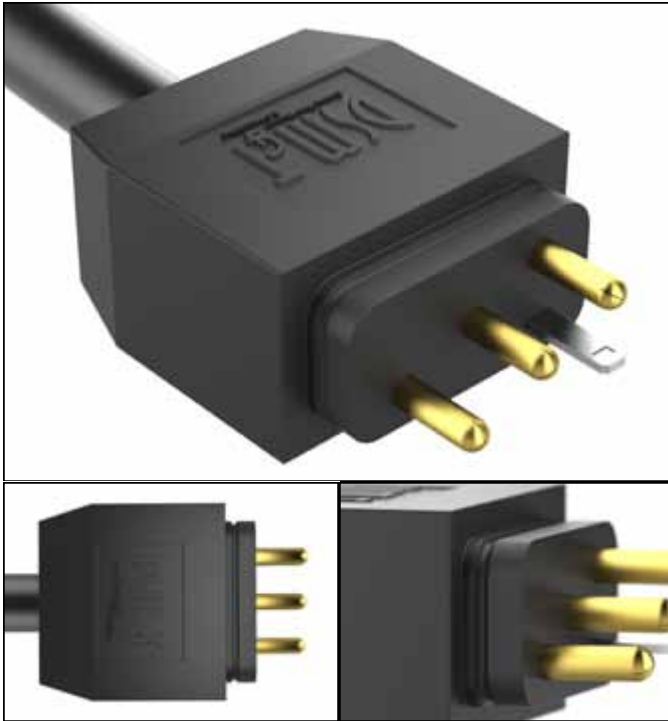
P/N	Current/ Voltage	Cable Specifications		Approval
		Conductor	Type	
MR Series [SSRSP Series]	10A/250 VAC	18 AWG	Leads UL Style 1015 or 1230 Cords SPT-1, SPT-2, SPT-3, SJT, SJTW, SJTO, SJTOW, SJTOO, SJTOOW, ST, STW, STO, STOO, STOOO	-
	13A/250 VAC	16 AWG	Leads UL Style 1015 or 1230 Cords SPT-2, SPT-3, SJT, SJTW, SJTO, SJTOW, SJTOO, SJTOOW, ST, STW, STO, STOO, STOOO	
	15A/250 VAC	14 AWG	Leads UL Style 1015 or 1230 Cords SPT-2, SPT-3, SJT, SJTW, SJTO, SJTOW, SJTOO, SJTOOW, ST, STW, STO, STOO, STOOO	
	20A/250 VAC	12 AWG (Configurations -123P-3 or -124P-1)	Leads UL Style 1015 or 1230 Cords SPT-3, SJT, SJTW, SJTO, SJTOW, SJTOO, SJTOOW, ST, STW, STO, STOO, STOOO	
	30A/250 VAC	10 AWG (Configuration -10/3 only)	Leads UL Style 1015 or 1230 Cords SPT-3, SJT, SJTW, SJTO, SJTOW, SJTOO, SJTOOW, ST, STW, STO, STOO, STOOO	

Mini Spa Connectors

Mini Spa Plug - With Seal

UP TO 30 AMPS & 250 VAC

MOLDED PVC, CUSTOM LENGTHS & COLORS
ROHS COMPLIANT

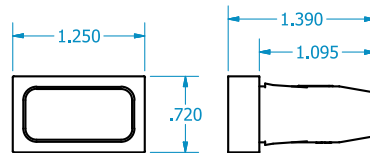
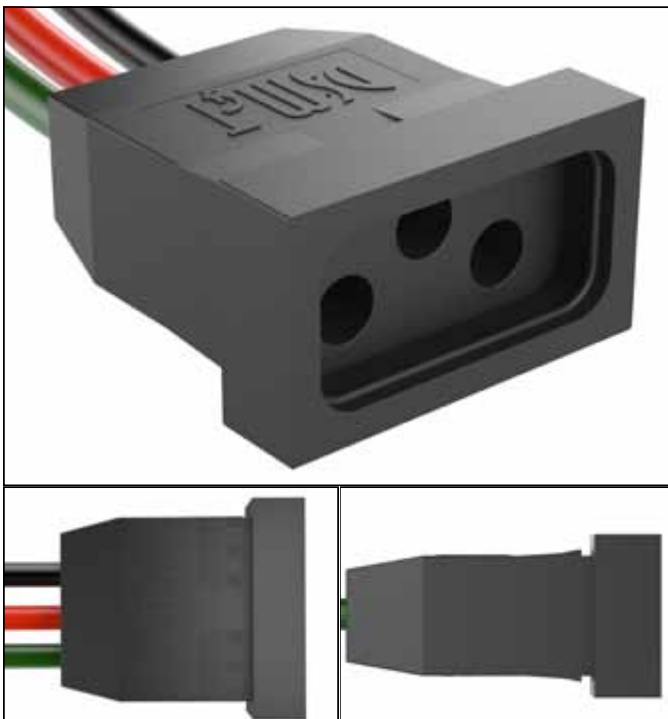


P/N	Current/Voltage	Cable Specifications		Approval
		Conductor	Type	
MP Series with seal [TSP Series]	10A/250 VAC	18 AWG	SPT-1, SPT-2, SPT-3, SJT, SJTW, SJTO, SJTOW, SJTOO, SJTOOW	
	13A/250 VAC	16 AWG	SPT-1, SPT-2, SPT-3, SJT, SJTW, SJTO, SJTOW, SJTOO, SJTOOW	
	15A/250 VAC	14 AWG		
	20A/250 VAC	12 AWG [Configurations -123P-3 or -124P-1]	SPT-1, SPT-2, SPT-3, SJT, SJTW, SJTO, SJTOW, SJTOO, SJTOOW	
	30A/250 VAC	10 AWG [Configuration -10/3 only]		

Mini Spa Receptacle - With Seal

UP TO 30 AMPS & 250 VAC

MOLDED PVC, CUSTOM LENGTHS & COLORS
ROHS COMPLIANT



P/N	Current/Voltage	Cable Specifications		Approval
		Conductor	Type	
MR Series with seal [TSR Series]	10A/250 VAC	18 AWG	Leads UL Style 1015 or 1230 Cords SPT-1, SPT-2, SPT-3, SJT, SJTW, SJTO, SJTOW, SJTOO, SJTOOW, ST, STW, STO, STOO, STOOO	
	13A/250 VAC	16 AWG	Leads UL Style 1015 or 1230 Cords SPT-2, SPT-3, SJT, SJTW, SJTO, SJTOW, SJTOO, SJTOOW, ST, STW, STO, STOO, STOOO	
	15A/250 VAC	14 AWG		
	20A/250 VAC	12 AWG [Configurations -123P-3 or -124P-1]	Leads UL Style 1015 or 1230 Cords SPT-3, SJT, SJTW, SJTO, SJTOW, SJTOO, SJTOOW, ST, STW, STO, STOO, STOOO	
	30A/250 VAC	10 AWG [Configuration -10/3 only]		

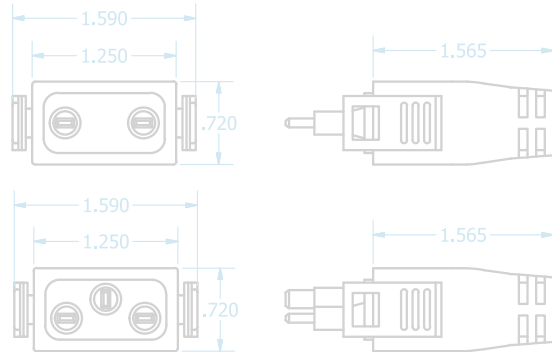
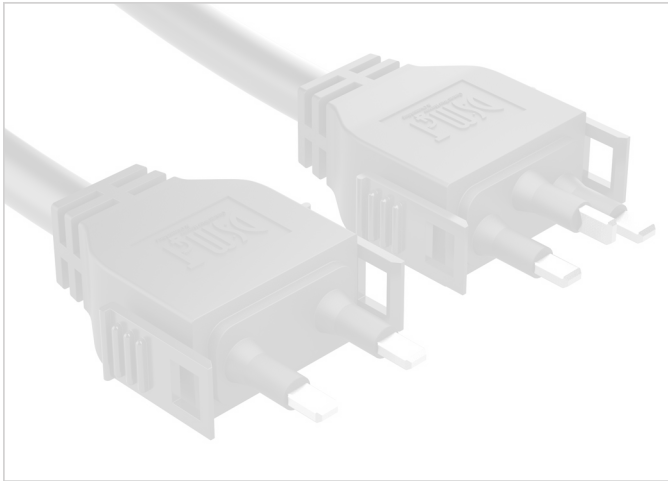
Special Use Interruptible Power Connectors

SureConn Plug IP

INTERRUPTIBLE POWER | UP TO 347 VAC

MOLDED PVC, POLYCARBONATE TABS, CUSTOM LENGTHS & COLORS, ROHS COMPLIANT

TESTED PER CSA T.I.L. NO. B-78



P/N	Current/Voltage	Cable Specifications		Approval
		Conductor	Type	
SCM-I21	3A/347 VAC	2x18 AWG	Appliance Wiring Material	-

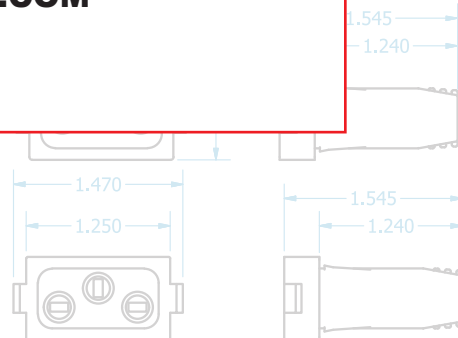
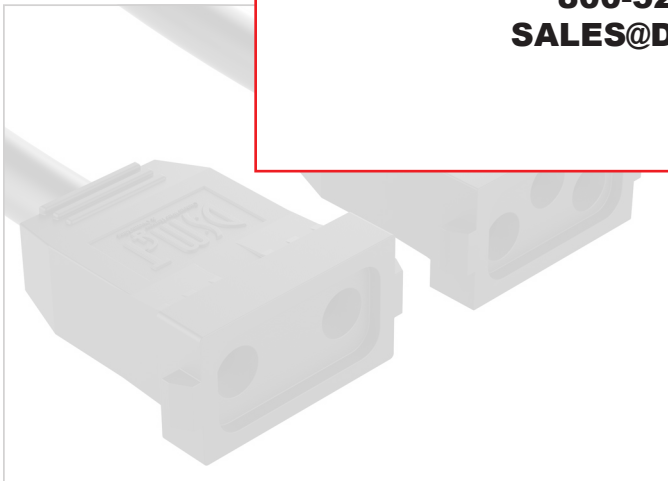
ITEMS NO LONGER AVAILABLE.

FOR LIKE PRODUCTS OR
MORE INFORMATION
PLEASE CONTACT DSM&T AT

800-525-0251
SALES@DSMT.COM

SureConn
INTERRUPTIBLE POWER

ROHS COMPLIANT
CSA T.I.L. NO. B-78



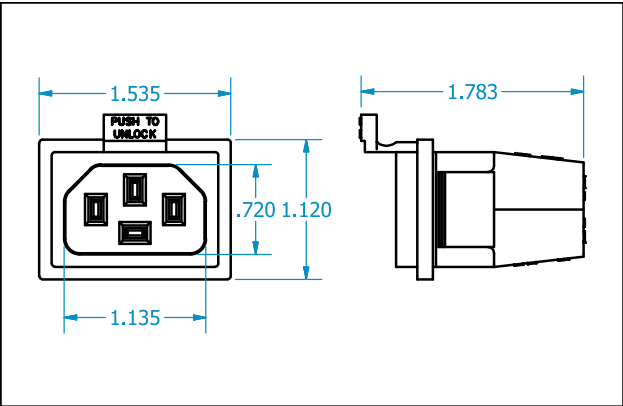
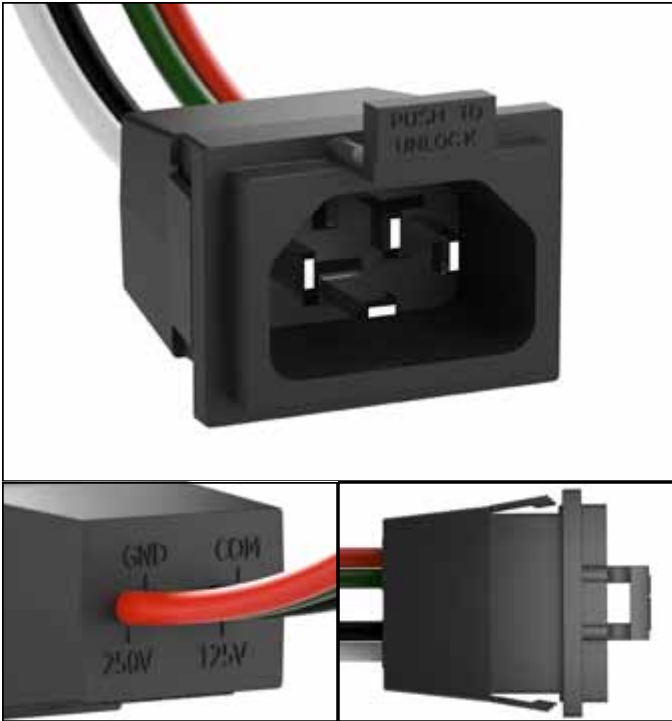
P/N	Current/Voltage	Cable Specifications		Approval
		Conductor	Type	
SCF-I21	3A/347 VAC	2x18 AWG	Appliance Wiring Material	-
SCF-I31	3A/347 VAC	3x18 AWG		

Special Use Connectors

Inlet Plug

CAN BE PANEL MOUNTED

MOLDED POLYCARBONATE LEXAN® 940,
CUSTOM LENGTHS & COLORS, ROHS COMPLIANT

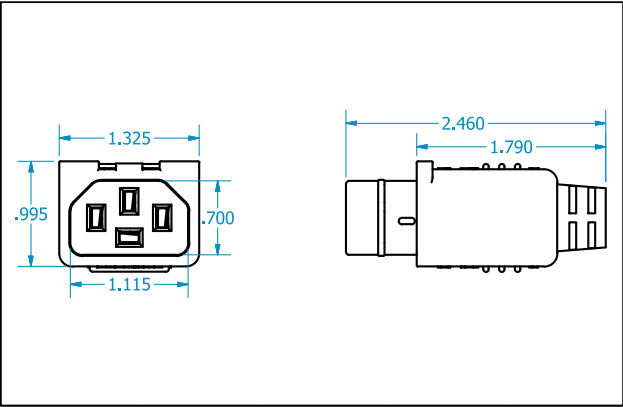
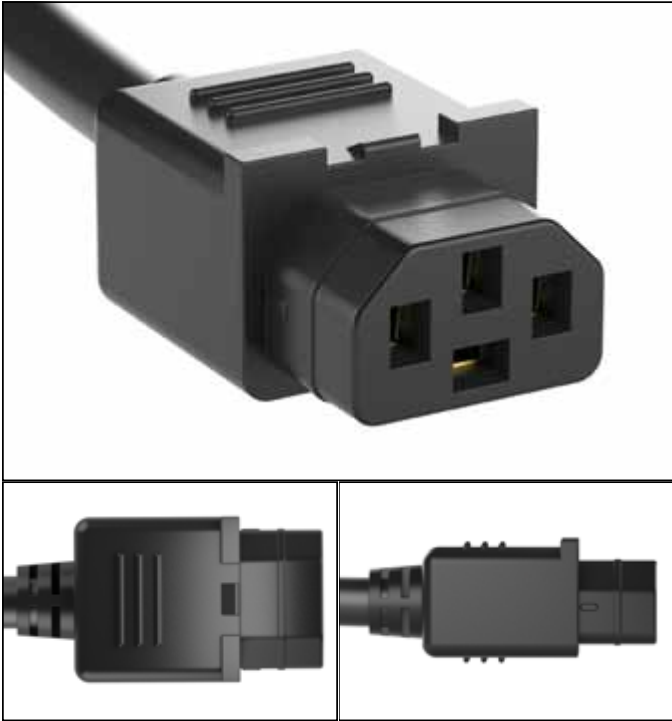


P/N	Current/ Voltage	Cable Specifications		Approval
		Conductor	Type	
4-Inlet	13A / 125 VAC 6A / 250 VAC	3x16 AWG, 14 AWG Ground	UL Style 1180	

Inlet Receptacle

UP TO 13 AMPS OR 250 VAC

MOLDED PVC, CUSTOM LENGTHS & COLORS
ROHS COMPLIANT



P/N	Current/ Voltage	Cable Specifications		Approval
		Conductor	Type	
4-120	13A / 120 VAC	3x16 AWG	SJTW	-
4-240	6A / 240 VAC	3x16 AWG	SJTW	-

Special Use Connectors

RAS Connector

CUSTOM CONNECTOR: CONTACT DSM&T

MOLDED PVC, CUSTOM LENGTHS & COLORS
ROHS COMPLIANT




P/N	Current/ Voltage	Cable Specifications		Approval
		Conductor	Type	
RAS	-	Contact DSM&T	-	-

RSC Connector

CUSTOM CONNECTOR: CONTACT DSM&T

MOLDED PVC, CUSTOM LENGTHS & COLORS
ROHS COMPLIANT




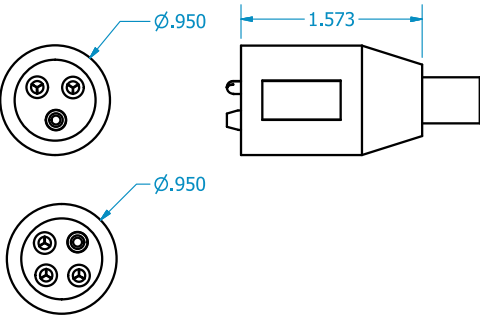
P/N	Current/ Voltage	Cable Specifications		Approval
		Conductor	Type	
RSC	-	Contact DSM&T	-	-


Special Use Connectors



WTP Connector

UP TO 15 AMPS

MOLDED PVC OR SANTOPRENE,
CUSTOM LENGTHS, ROHS COMPLIANT


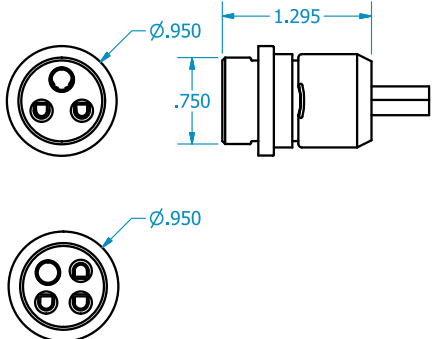
P/N	Current/ Voltage	Cable Specifications		Approval
		Conductor	Type	
WTP-XT WTP-XS	10A/250 VAC	3x18 AWG	SJT, SJTW, SJTO, SJTOW, SJTOOW, SJO, SJOW, SJOO, SJOOW	 [USR/CNR]
	13A/250 VAC	3x16 AWG		
	15A/250 VAC	3x14 AWG		
WTP-XL WTP-XM	10A/250 VAC	4x18 AWG		
	13A/250 VAC	4x16 AWG		
	15A/250 VAC	4x14 AWG		







WTR Receptacle

UP TO 15 AMPS

MOLDED PVC OR SANTOPRENE,
CUSTOM LENGTHS, ROHS COMPLIANT

P/N	Current/ Voltage	Cable Specifications		Approval
		Conductor	Type	
WTR-XT WTR-XS	10A/250 VAC	3x18 AWG	Appliance Wiring Material, PVC Insulated	 [USR/CNR]
	13A/250 VAC	3x16 AWG		
	15A/250 VAC	3x14 AWG		
WTR-XL WTR-XM	10A/250 VAC	4x18 AWG		
	13A/250 VAC	4x16 AWG		
	15A/250 VAC	4x14 AWG		


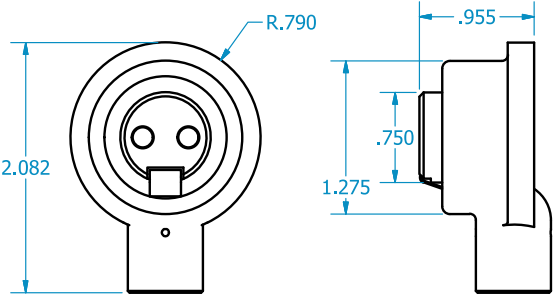



Special Use Connectors



HTT Connector

CUSTOM CONNECTOR: CONTACT DSM&T

MOLDED PVC, CUSTOM LENGTHS & COLORS
ROHS COMPLIANT

P/N	Current/ Voltage	Cable Specifications		Approval
		Conductor	Type	
HTT	-	Contact DSM&T	-	-

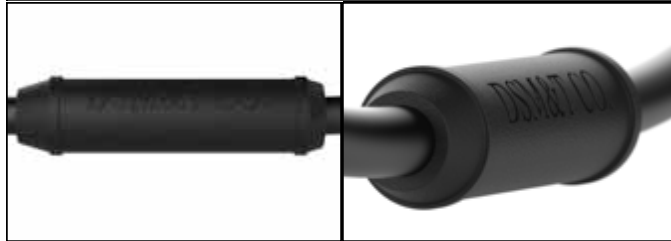
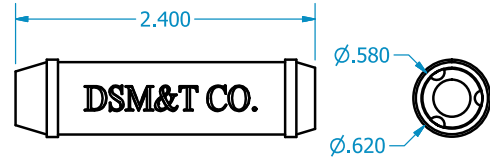




Anti-Syphon Connectors

MoistureBlock™ Molded Body

ANTI-SYPHON FLUID MIGRATION STOPPER

MOLDED PVC BODY, CUSTOM LENGTHS & COLORS, ROHS COMPLIANT

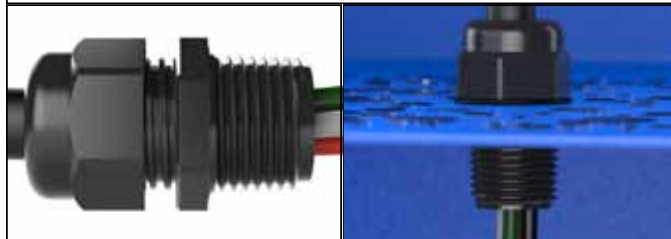
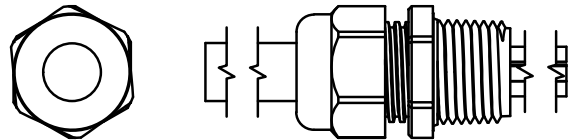



P/N	Current/Voltage	Cable Specifications		Approval
		Conductor	Type	
Moisture-Block™	-	Contact DSM&T	Wiring Harness	 US [USR/CNR]

MoistureBlock™ Strain Relief

STRAIN RELIEF CORD GRIP BODY

CUSTOM LENGTHS & COLORS
ROHS COMPLIANT




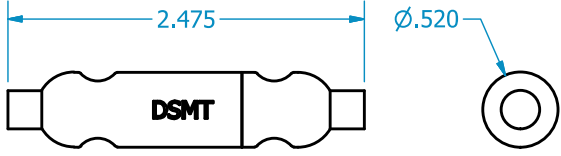





P/N	Current/Voltage	Cable Specifications		Approval
		Conductor	Type	
Moisture-Block™	-	Contact DSM&T	Wiring Harness	 US [USR/CNR]

Fuse Holder

In-Line Fuse Holder

SPLASH PROOF | FOR 1/4" x 1 1/4" L FUSES

MOLDED PVC, CUSTOM LENGTHS AND COLORS, ROHS COMPLIANT


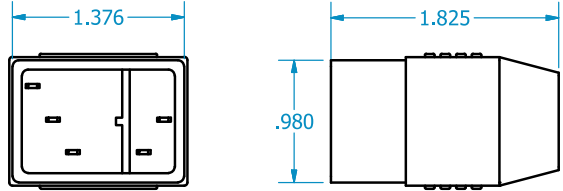
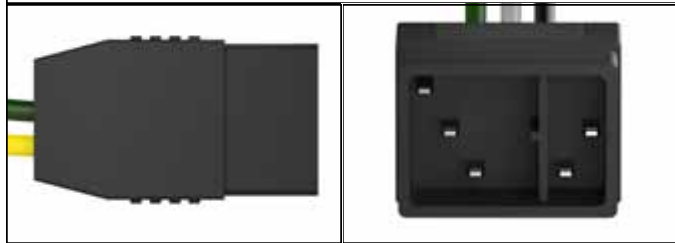
																					
		<table border="1"> <thead> <tr> <th>P/N</th> <th>Current/Voltage</th> <th colspan="2">Cable Specifications</th> <th>Approval</th> </tr> <tr> <td></td> <td></td> <th>Conductor</th> <th>Type</th> <td></td> </tr> </thead> <tbody> <tr> <td>In-Line Fuse Holder</td> <td>10A / 250 VAC</td> <td>14 AWG</td> <td>UL Style Not Specified</td> <td></td> </tr> </tbody> </table>	P/N	Current/Voltage	Cable Specifications		Approval			Conductor	Type		In-Line Fuse Holder	10A / 250 VAC	14 AWG	UL Style Not Specified					
P/N	Current/Voltage	Cable Specifications		Approval																	
		Conductor	Type																		
In-Line Fuse Holder	10A / 250 VAC	14 AWG	UL Style Not Specified																		

Code Scanner | Automotive Type Connectors

Car Code Scanner Plug V2

FOR AUTOMOTIVE USE


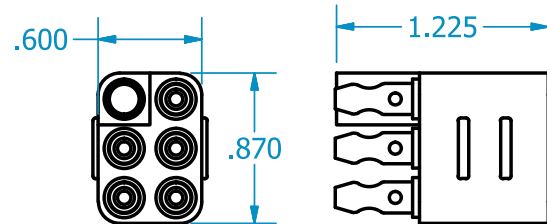
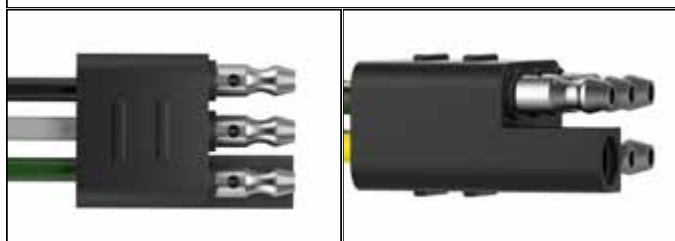
MOLDED PVC, CUSTOM LENGTHS AND COLORS, ROHS COMPLIANT

						
		P/N	Current/Voltage	Cable Specifications		Approval
				Conductor	Type	
CCS		-	Contact DSM&T	-	-	-

ZM-106 Plug

FOR AUTOMOTIVE USE

MOLDED PVC, CUSTOM LENGTHS AND COLORS, ROHS COMPLIANT

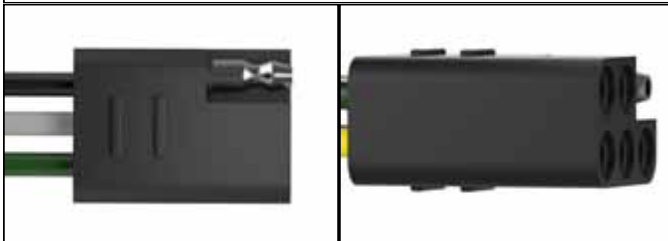
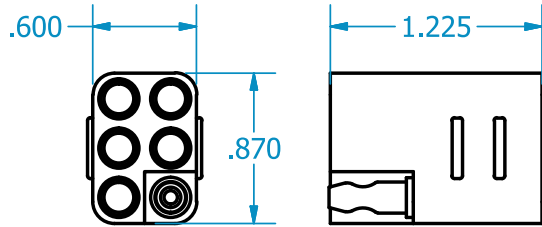
						
		P/N	Current/Voltage	Cable Specifications		Approval
				Conductor	Type	
ZM-106P		-	Contact DSM&T	UL Style 1015	-	-

Automotive Type Connectors

ZM-106 Receptacle

FOR AUTOMOTIVE USE

MOLDED PVC, CUSTOM LENGTHS AND COLORS, ROHS COMPLIANT

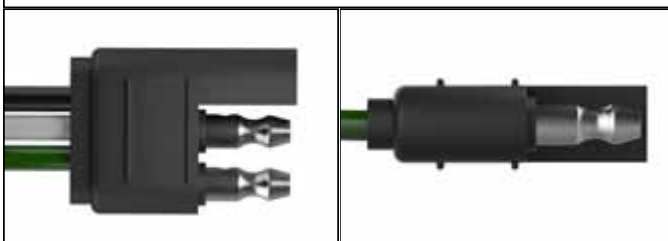
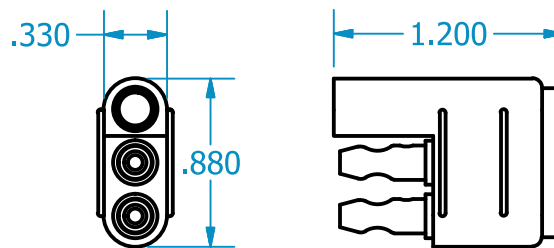


P/N	Current/Voltage	Cable Specifications		Approval
		Conductor	Type	
ZM-106R	-	Contact DSM&T	UL Style 1015	-

ZM-103 Plug

FOR AUTOMOTIVE USE

MOLDED PVC, CUSTOM LENGTHS AND COLORS, ROHS COMPLIANT







P/N	Current/Voltage	Cable Specifications		Approval
		Conductor	Type	
ZM-103P	-	Contact DSM&T	UL Style 1015	-

Automotive Type Connectors

ZM-103 Receptacle

FOR AUTOMOTIVE USE

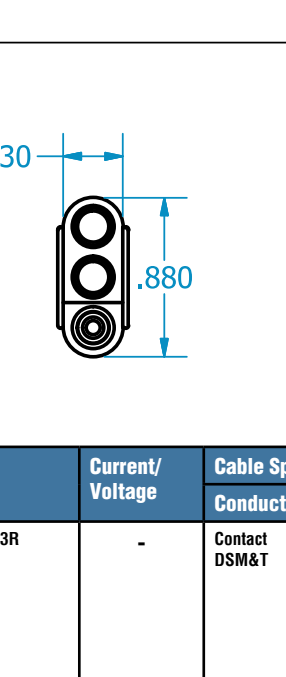
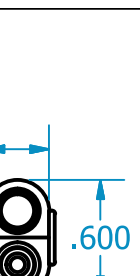
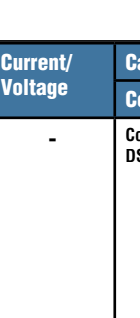

MOLDED PVC, CUSTOM LENGTHS AND COLORS, ROHS COMPLIANT

					
					
P/N	Current/Voltage	Cable Specifications		Approval	
		Conductor	Type		
ZM-103R	-	Contact DSM&T	UL Style 1015	-	
					

ZM-102 Plug /Receptacle

FOR AUTOMOTIVE USE | CONNECTS TO ITSELF

MOLDED PVC, CUSTOM LENGTHS AND COLORS, ROHS COMPLIANT

					
					
P/N	Current/Voltage	Cable Specifications		Approval	
		Conductor	Type		
ZM-106R	-	Contact DSM&T	UL Style 1015	-	
					

Special Use Lamp Connector

FR Connector

FLOURESCENT LAMP RECEPTACLE

MOLDED PVC, CUSTOM LENGTHS AND COLORS, ROHS COMPLIANT


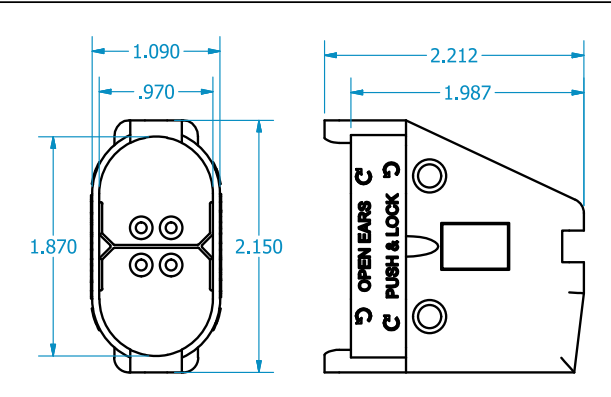



P/N	Current/Voltage	Cable Specifications		Approval
		Conductor	Type	
FR Connector	-	2x14 AWG	SPT-1	-

Splash Proof Locking Cap, Dual

FOR DUAL LAMP

MOLDED PVC, CUSTOM LENGTHS AND COLORS, ROHS COMPLIANT


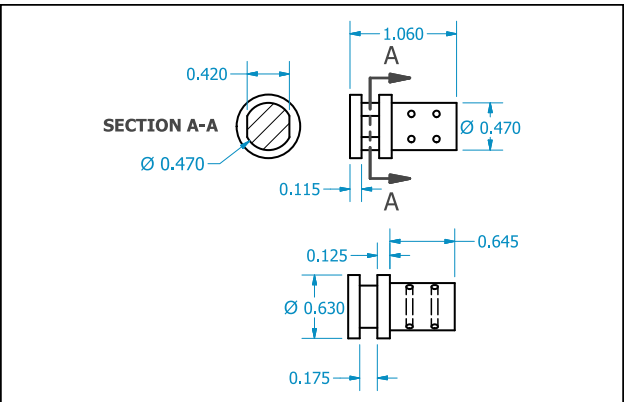
P/N	Current/Voltage	Cable Specifications		Approval
		Conductor	Type	
SPLC-4	-	4x18 AWG	SJTW	-

Strain Reliefs



Model A

STRAIN RELIEF

MOLDED PVC, CUSTOM COLORS,
ROHS COMPLIANT


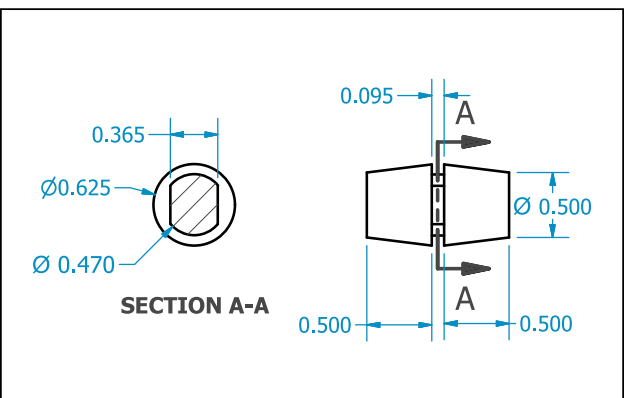
P/N	Cable Specifications	
	Cable Diameter	Type
Model A	Contact DSM&T	-

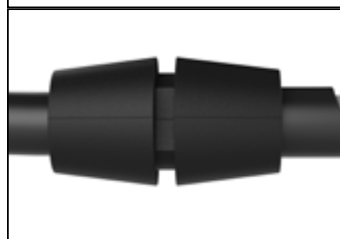

Model B

STRAIN RELIEF

MOLDED PVC, CUSTOM COLORS,
ROHS COMPLIANT

P/N	Cable Specifications	
	Cable Diameter	Type
Model B	Contact DSM&T	-


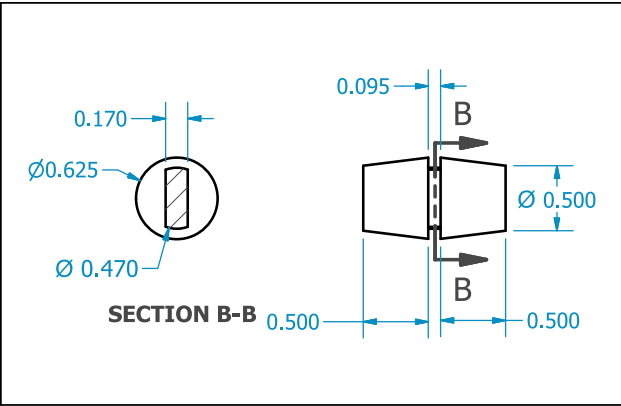



Strain Reliefs

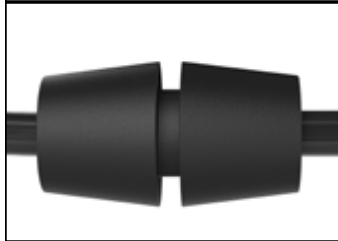

Model B-1

STRAIN RELIEF

MOLDED PVC, CUSTOM COLORS,
ROHS COMPLIANT


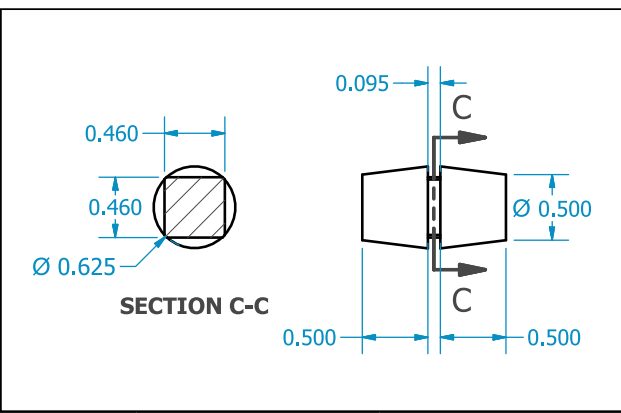
P/N	Cable Specifications	
	Cable Diameter	Type
Model B-1	Contact DSM&T	-

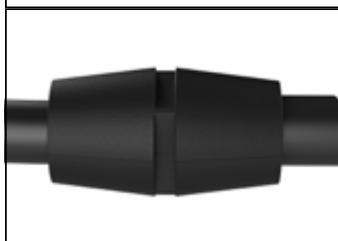

Model B-CHG

STRAIN RELIEF

MOLDED PVC, CUSTOM COLORS,
ROHS COMPLIANT

P/N	Cable Specifications	
	Cable Diameter	Type
Model B-CHG	Contact DSM&T	-


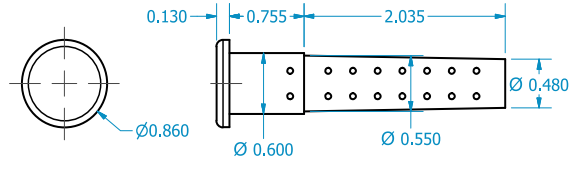



Strain Reliefs


Model C

STRAIN RELIEF

MOLDED PVC, CUSTOM COLORS,
ROHS COMPLIANT


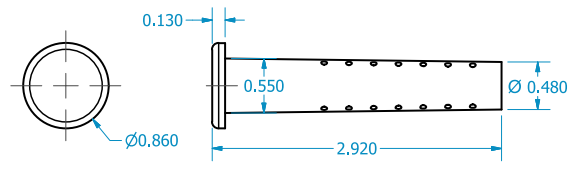
P/N	Cable Specifications	
	Cable Diameter	Type
Model C	Contact DSM&T	-




Model C Modified

STRAIN RELIEF

MOLDED PVC, CUSTOM COLORS,
ROHS COMPLIANT

P/N	Cable Specifications	
	Cable Diameter	Type
Model C Modified	Contact DSM&T	-


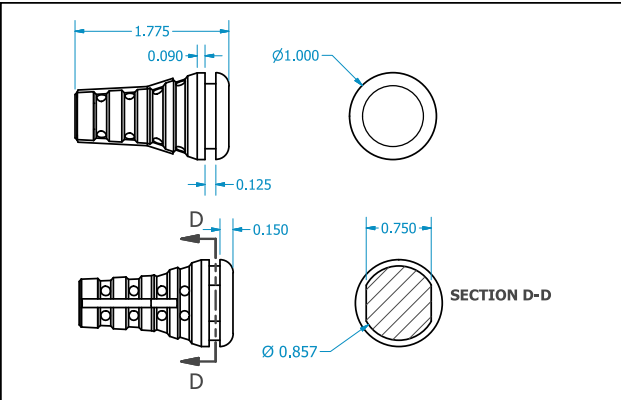


Strain Reliefs

Model E Modified

STRAIN RELIEF

MOLDED PVC, CUSTOM COLORS,
ROHS COMPLIANT


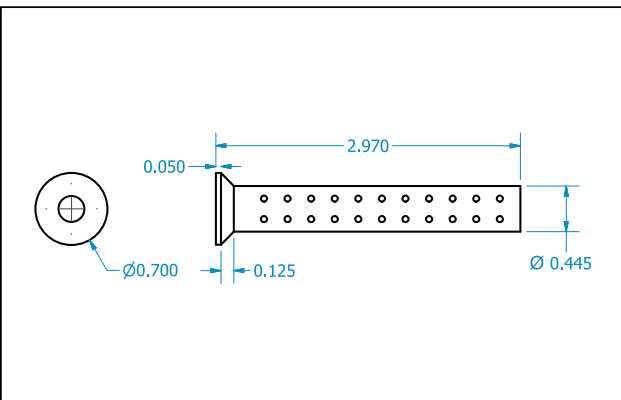



P/N	Cable Specifications	
	Cable Diameter	Type
Model E Modified	Contact DSM&T	-

Model I

STRAIN RELIEF

MOLDED PVC, CUSTOM COLORS,
ROHS COMPLIANT

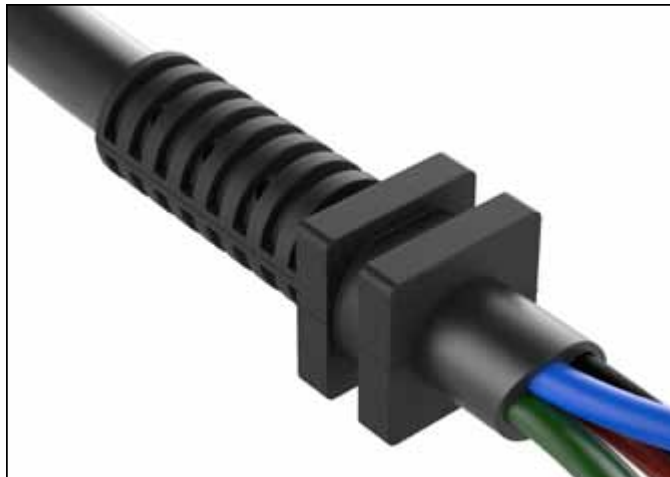
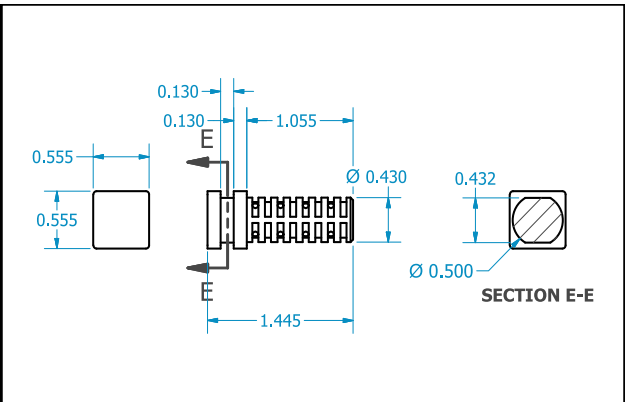
P/N	Cable Specifications	
	Cable Diameter	Type
Model I	Contact DSM&T	-

Strain Reliefs


Model J

STRAIN RELIEF

MOLDED PVC, CUSTOM COLORS,
ROHS COMPLIANT


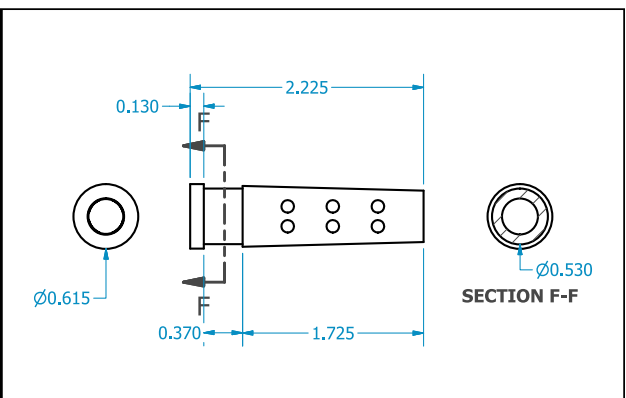
P/N	Cable Specifications	
	Cable Diameter	Type
Model J	Contact DSM&T	-




Model K

STRAIN RELIEF

MOLDED PVC, CUSTOM COLORS,
ROHS COMPLIANT

P/N	Cable Specifications	
	Cable Diameter	Type
Model K	Contact DSM&T	-


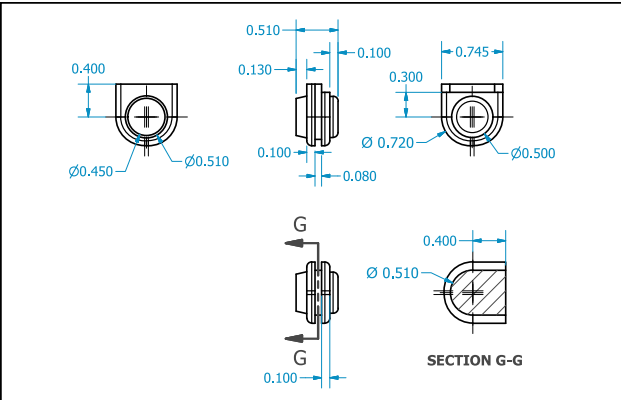


Strain Reliefs


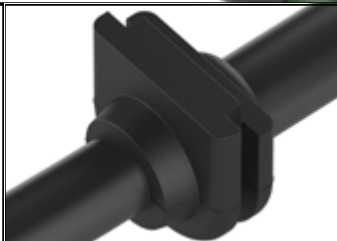
Model L

STRAIN RELIEF

MOLDED PVC, CUSTOM COLORS, ROHS COMPLIANT


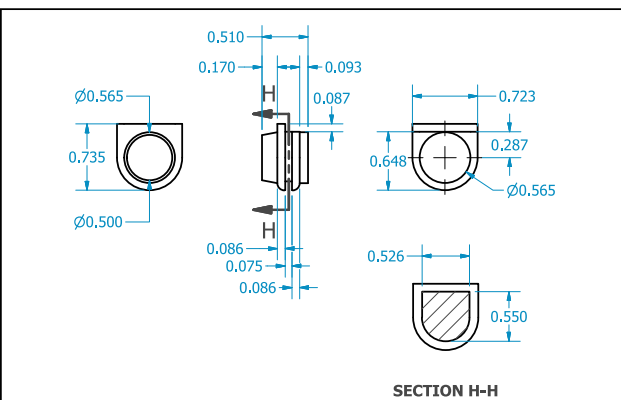
P/N	Cable Specifications	
	Cable Diameter	Type
Model L	Contact DSM&T	-

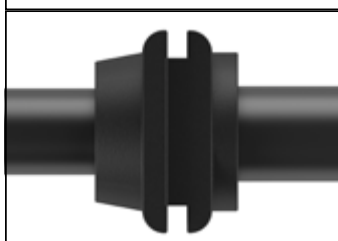

Model M

STRAIN RELIEF

MOLDED PVC, CUSTOM COLORS, ROHS COMPLIANT

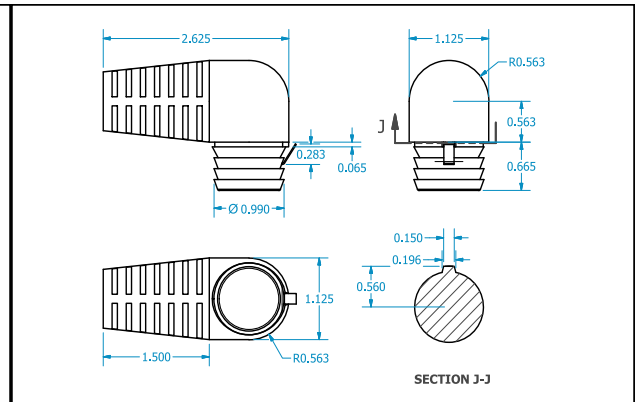
P/N	Cable Specifications	
	Cable Diameter	Type
Model M	Contact DSM&T	-

Model Hydro 2

STRAIN RELIEF

MOLDED PVC, CUSTOM COLORS,
ROHS COMPLIANT

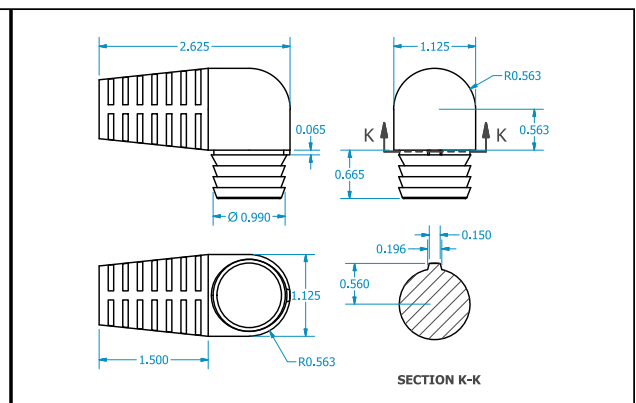


P/N	Cable Specifications	
	Cable Diameter	Type
Model Hydro 2	Contact DSM&T	-

Model Hydro 3

STRAIN RELIEF

MOLDED PVC, CUSTOM COLORS,
ROHS COMPLIANT




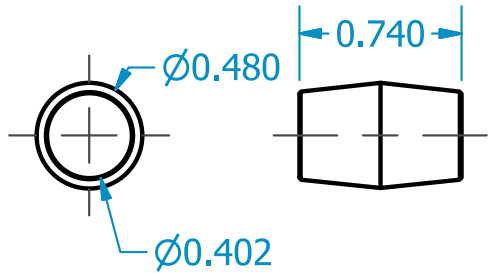
P/N	Cable Specifications	
	Cable Diameter	Type
Model Hydro 3	Contact DSM&T	-

Strain Reliefs

Model AOS 001

STRAIN RELIEF

MOLDED PVC, CUSTOM COLORS,
ROHS COMPLIANT


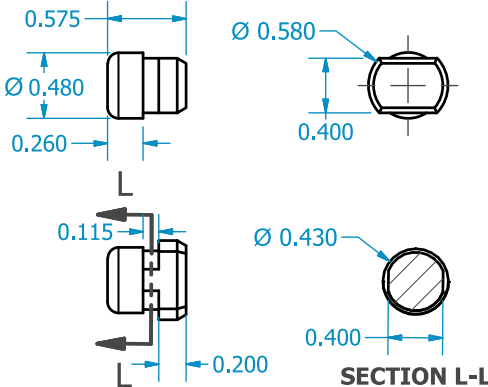



P/N	Cable Specifications	
	Cable Diameter	Type
Model AOS 001	Contact DSM&T	-

Model SR182-01

STRAIN RELIEF

MOLDED PVC, CUSTOM COLORS,
ROHS COMPLIANT

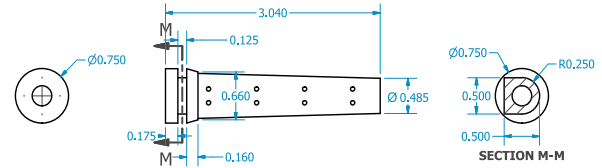
P/N	Cable Specifications	
	Cable Diameter	Type
Model SR182-01	Contact DSM&T	-

Strain Reliefs

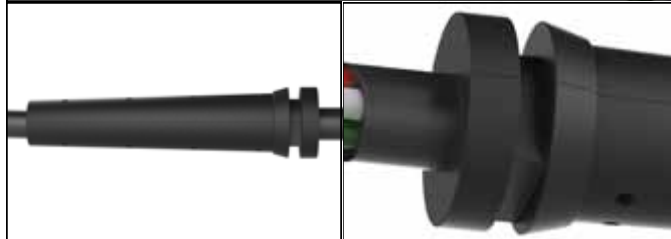
Model TR0001

STRAIN RELIEF

MOLDED PVC, CUSTOM COLORS,
ROHS COMPLIANT



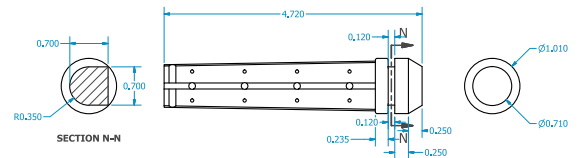
P/N	Cable Specifications	
	Cable Diameter	Type
Model TR0001	Contact DSM&T	-



Model HFM-001

STRAIN RELIEF

MOLDED PVC, CUSTOM COLORS,
ROHS COMPLIANT



P/N	Cable Specifications	
	Cable Diameter	Type
Model HFM-001	Contact DSM&T	-


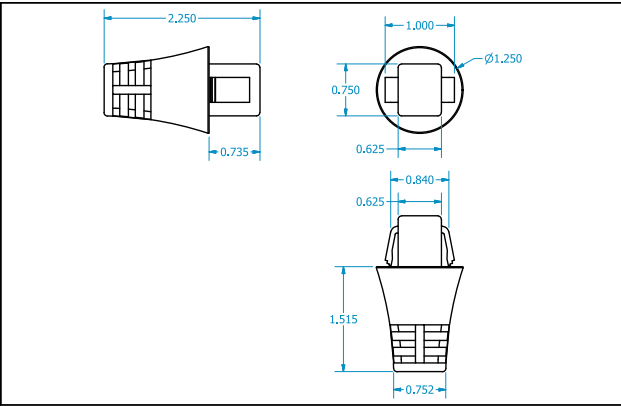


Strain Reliefs

Clip-On Strain Relief

STRAIN RELIEF

MOLDED PVC, CUSTOM COLORS, ROHS COMPLIANT

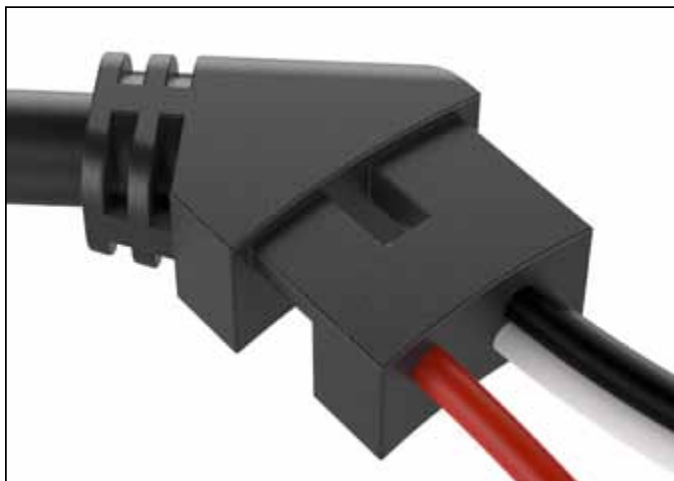
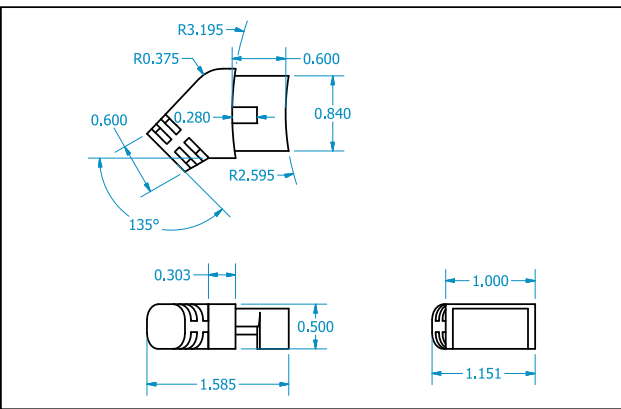



P/N	Cable Specifications	
	Cable Diameter	Type
Clip-On Strain Relief	Contact DSM&T	-

Motor Strain Relief

STRAIN RELIEF


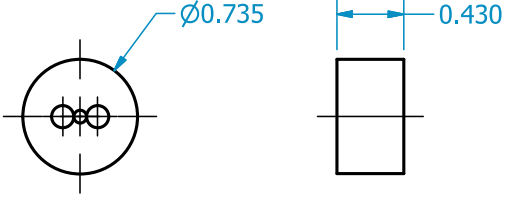
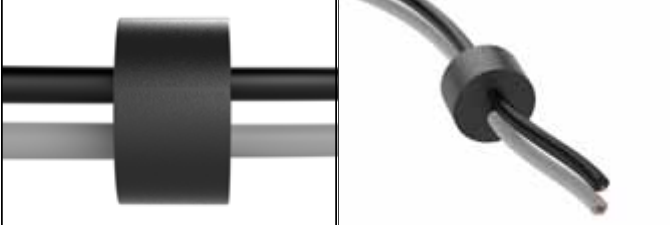
MOLDED PVC, CUSTOM COLORS, ROHS COMPLIANT

P/N	Cable Specifications	
	Cable Diameter	Type
Motor Strain Relief	Contact DSM&T	-


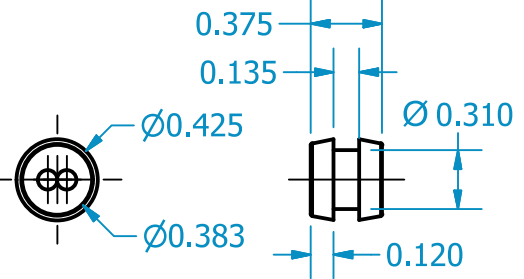
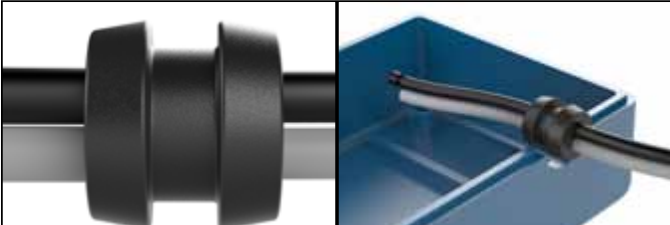
Model 1 GROMMET

MOLDED PVC, CUSTOM COLORS,
ROHS COMPLIANT

			
		P/N	Cable Specifications
		Cable Diameter	Type
		Model 1	Contact DSM&T

Model 2 GROMMET

MOLDED PVC, CUSTOM COLORS,
ROHS COMPLIANT


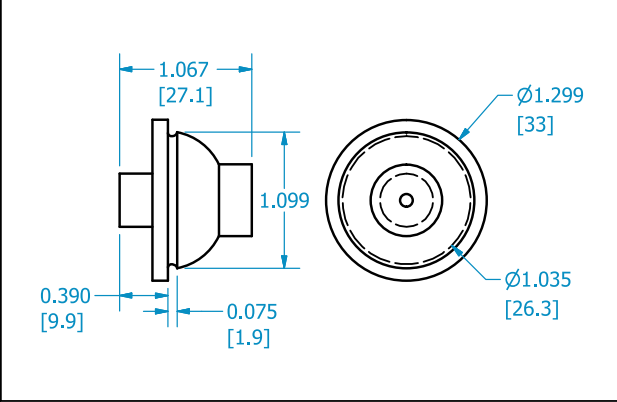
			
		P/N	Cable Specifications
		Cable Diameter	Type
		Model 2	Contact DSM&T

Grommets



Model 9557

GROMMET

MOLDED PVC, CUSTOM COLORS,
ROHS COMPLIANT


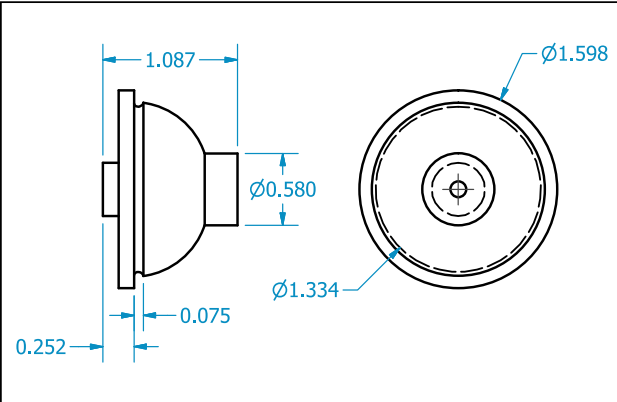
P/N	Cable Specifications	
	Cable Diameter	Type
Model 9557	Contact DSM&T	-



Model 9576

GROMMET

MOLDED PVC, CUSTOM COLORS,
ROHS COMPLIANT

P/N	Cable Specifications	
	Cable Diameter	Type
Model 9576	Contact DSM&T	-


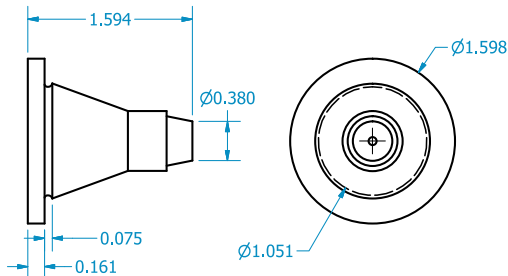




Grommets | Molded Hook

Model 1781

GROMMET

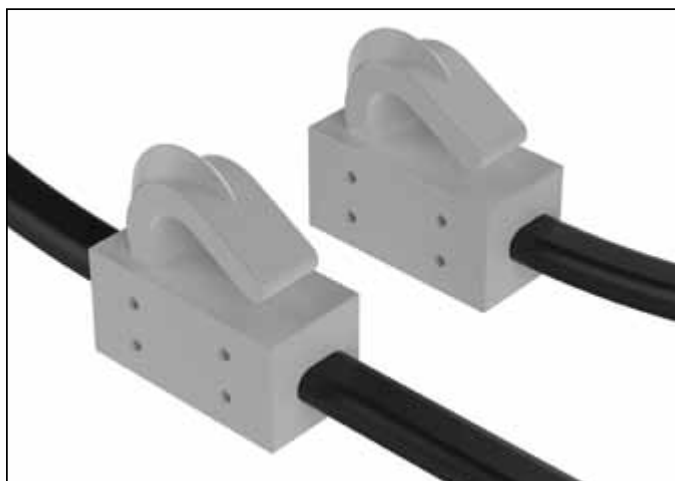
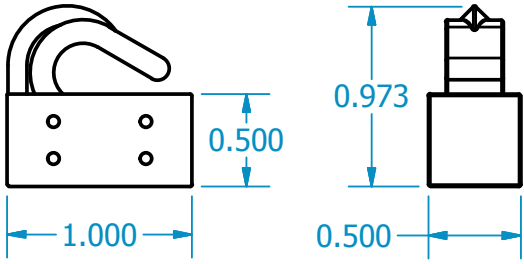
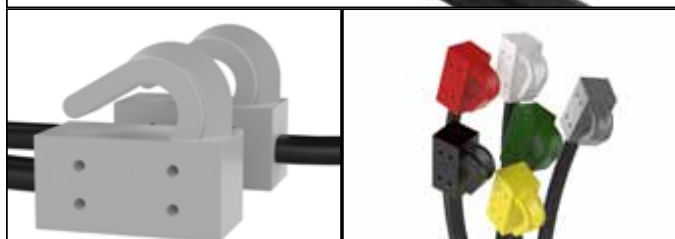
MOLDED PVC, CUSTOM COLORS,
ROHS COMPLIANT

			
		P/N	Cable Specifications
		Cable Diameter	Type
		Model 1781	Contact DSM&T

Molded Hook

MID-CORD OR CORD END OPTIONS

MOLDED PVC, CUSTOM COLORS,
ROHS COMPLIANT


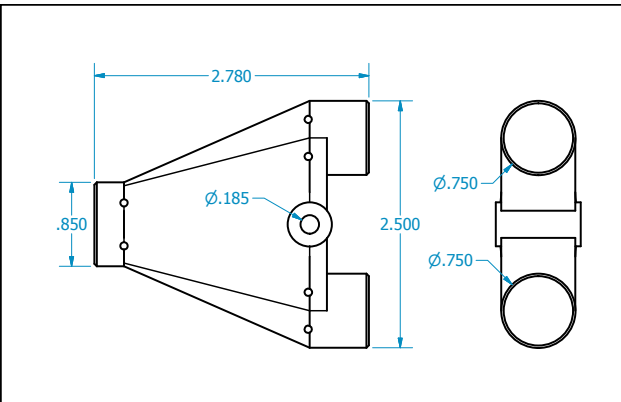
			
		P/N	Cable Specifications
		Cable Diameter	Type
		Molded Hook	Contact DSM&T

Specialty Over Molds

Y Connector Overmold

CUSTOM OVER MOLD

MOLDED PVC, CUSTOM COLORS,
ROHS COMPLIANT

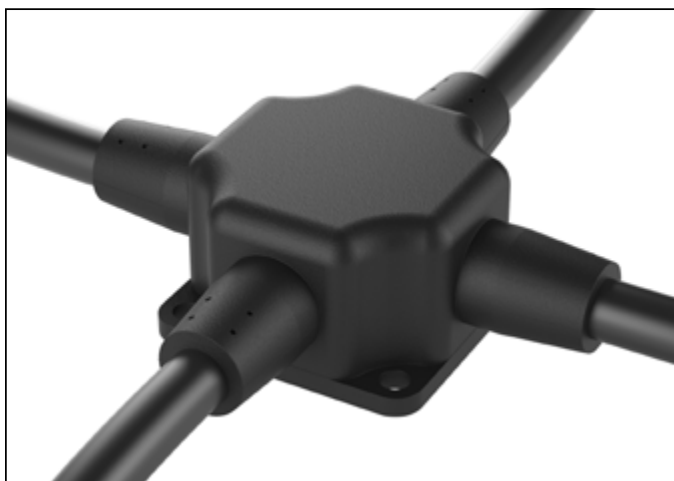
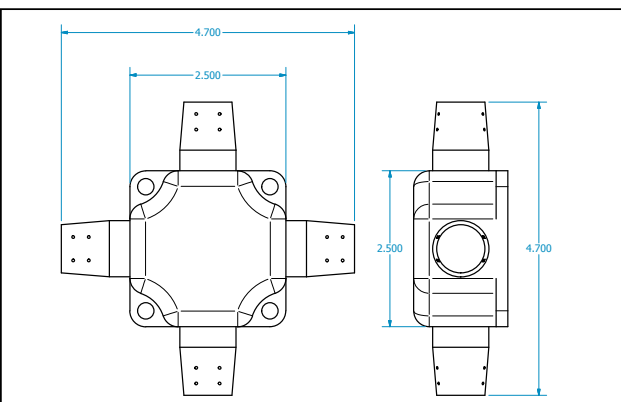



P/N	Cable Specifications	
	Cable Diameter	Type
Y Connector	Contact DSM&T	-

X Block Overmold

GREAT FOR EXTREME DUTY HARNESES

MOLDED PVC, CUSTOM COLORS,
ROHS COMPLIANT

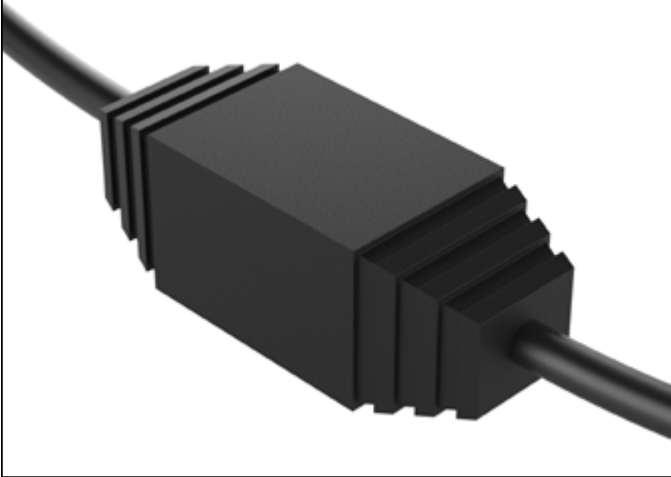
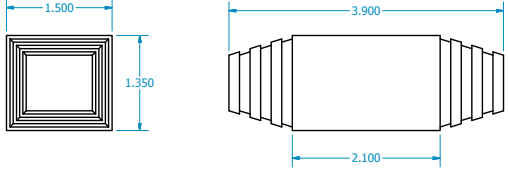
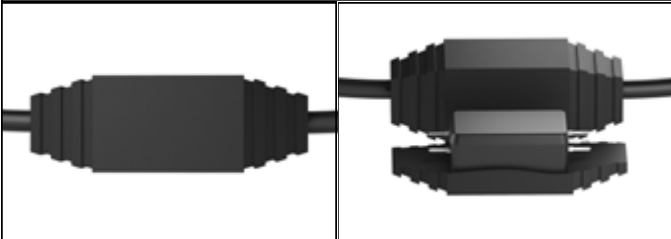
P/N	Cable Specifications	
	Cable Diameter	Type
X Block Over Mold	Contact DSM&T	-

Specialty Over Molds

EMI Filter Over Mold

CUSTOM OVER MOLD


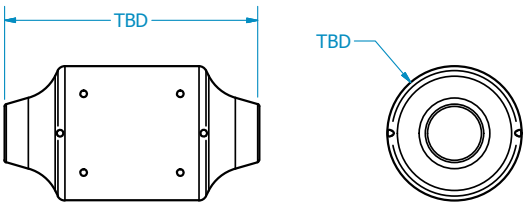
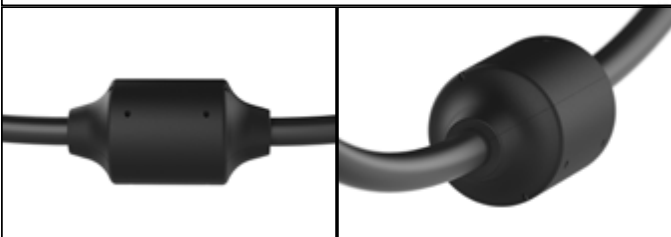
MOLDED PVC, CUSTOM COLORS,
ROHS COMPLIANT

			
		P/N	Cable Specifications
		Cable Diameter	Type
		EFO	Contact DSM&T

Bead Over Mold

CUSTOM OVER MOLD


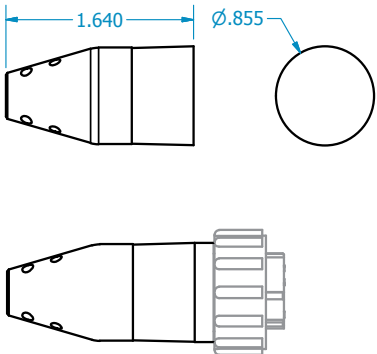
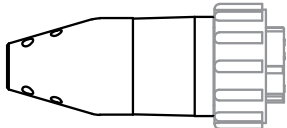

MOLDED PVC, CUSTOM COLORS,
ROHS COMPLIANT

			
		P/N	Cable Specifications
		Cable Diameter	Type
		SBO	Contact DSM&T

Specialty Over Molds

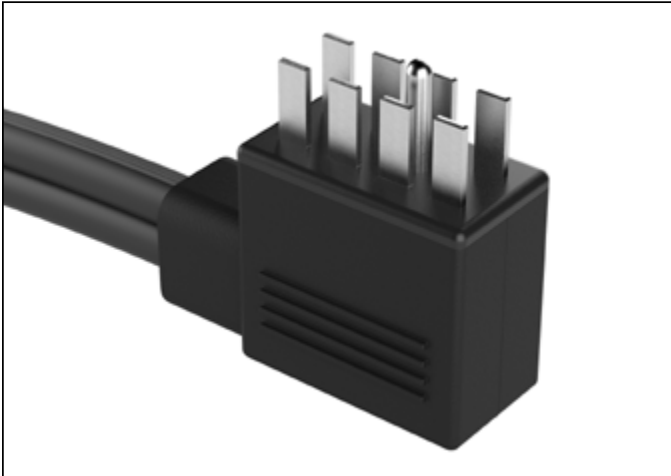
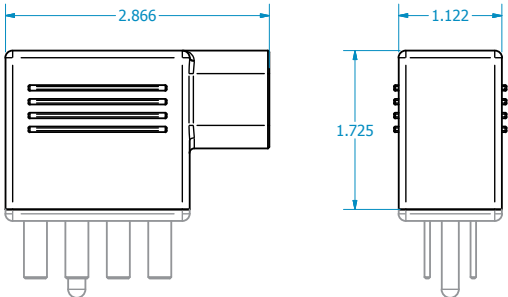
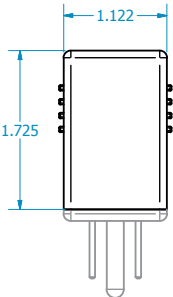
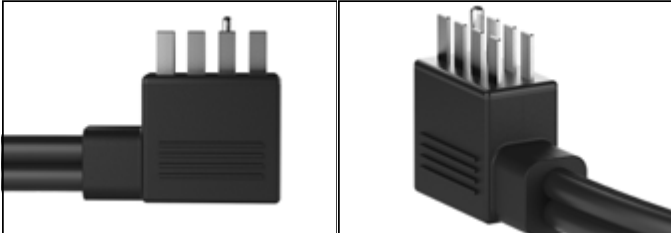
13-7 CPC Plug Connector Over Mold

MOLDED PVC, CUSTOM COLORS,
ROHS COMPLIANT

				
				
		P/N	Cable Specifications	
			Cable Diameter	Type
		13-7 CPC Plug	Contact DSM&T	-

Beau Plug Over Mold

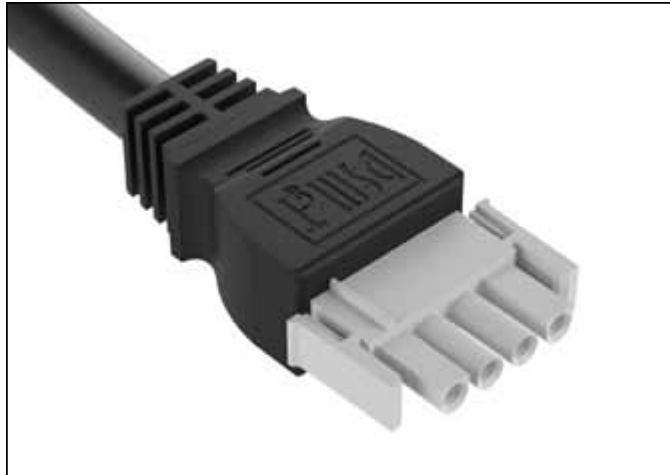
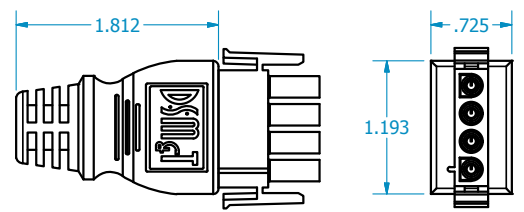


MOLDED PVC, CUSTOM COLORS,
ROHS COMPLIANT

				
				
		P/N	Cable Specifications	
			Cable Diameter	Type
		Beau Plug Over Mold	Contact DSM&T	-

Mate N Lok Plug Overmold

TRUCKING INDUSTRY FAVORITE


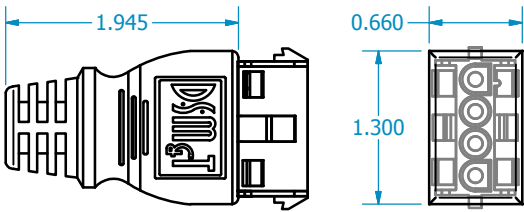


MOLDED PVC, CUSTOM COLORS, ROHS COMPLIANT

			
		P/N	Cable Specifications
 		Cable Diameter	Type
		SPMC Series	Contact DSM&T

Mate N Lok Receptacle Overmold

TRUCKING INDUSTRY FAVORITE

MOLDED PVC, CUSTOM COLORS, ROHS COMPLIANT

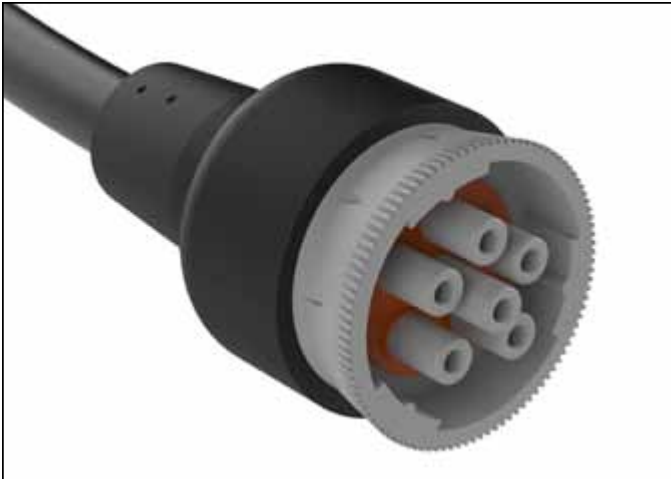
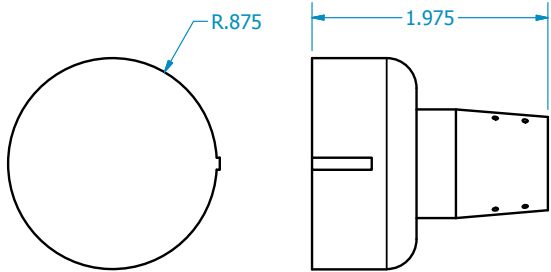
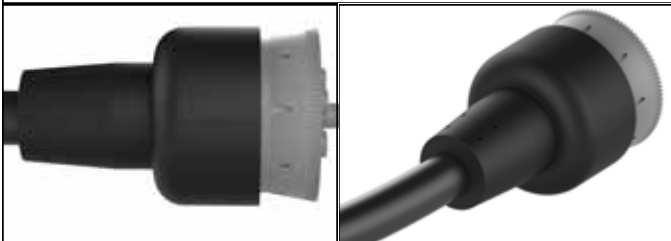
			
		P/N	Cable Specifications
 		Cable Diameter	Type
		SPFC Series	Contact DSM&T

Specialty Over Molds

Deutsch HD10 Plug Over Mold

TRUCKING INDUSTRY FAVORITE


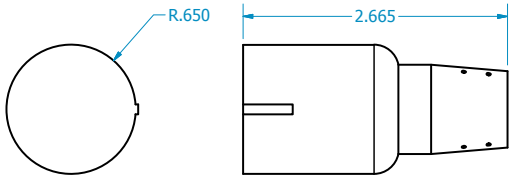
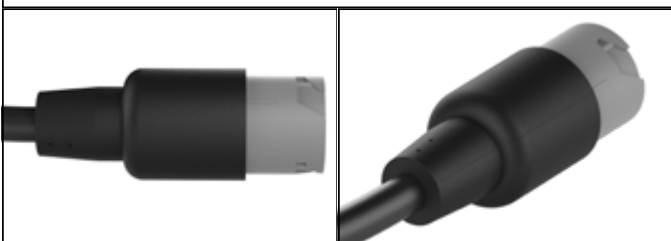
MOLDED PVC, CUSTOM COLORS,
ROHS COMPLIANT

			
		P/N	Cable Specifications
		Cable Diameter	Type
		HDPO	Contact DSM&T

Deutsch HD16 Plug Over Mold

TRUCKING INDUSTRY FAVORITE


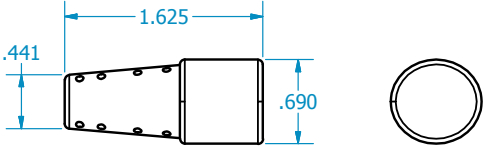


MOLDED PVC, CUSTOM COLORS,
ROHS COMPLIANT

			
		P/N	Cable Specifications
		Cable Diameter	Type
		HDPO	Contact DSM&T

Deutsch DT Receptacle Over Mold

TRUCKING INDUSTRY FAVORITE


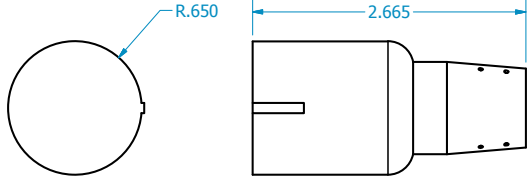


MOLDED PVC, CUSTOM COLORS,
ROHS COMPLIANT

			
		P/N	Cable Specifications
		Cable Diameter	Type
		DTRO	Contact DSM&T -

Deutsch HD10 Receptacle Over Mold

TRUCKING INDUSTRY FAVORITE

MOLDED PVC, CUSTOM COLORS,
ROHS COMPLIANT

			
		P/N	Cable Specifications
		Cable Diameter	Type
		HDRO	Contact DSM&T -

SINCE 1982 DSMT has been a leader in the wire harness and cord set manufacturing markets. From the simple power cord that connects a table lamp, to a more intricate wiring harness for the automobile industry, we have earned the trust of major OEM's that rely on quality components for their products.

We are positioned to accommodate both large and small custom orders by having multiple

manufacturing facilities. Our main facility includes extrusion lines dedicated to manufacturing custom wire and cable. To ensure quick turn around times, we stock PVC and copper at all times to respond quickly to our customer's unexpected demand.

Our broad range of products and capabilities will ensure to help you keep a step ahead of the competition. We look forward to doing business with you and establishing an ongoing relationship.



Made In The USA

We strive to deliver the precision and quality that only USA-Made products can produce.

Inside our Southern California facility we produce all your custom connectors, wire harnesses and custom over-molds.

Contact Us:
800-525-0251
FAX: 909-357-7950
www.DSMT.com
sales@dsmt.com

Company Address:
DSM&T Co., Inc.
10609 Business Dr.
Fontana, CA 92337